



HUGO & BORG

C A B I N E T M A K E R S

THE QUALITY CABINETRY PEOPLE

We call ourselves cabinet makers, but at Hugo&Borg we like to think we do more than just make cabinets: we make kitchen dreams come true. Our exciting, fully assembled collection has it all—and it's all available at Lowe's.



QUICK SHIP

We'll ship within 10 days of your order. That's less than half the industry's standard lead-time.



LIMITED LIFETIME WARRANTY

Great quality and durability guaranteed—we make our cabinets and doors to last.



INCREDIBLE VALUE

Everything about Hugo&Borg says quality. It's unusual to find this level of specification and value combined in one brand.



NEED DESIGN HELP?

Don't have time for an in-store appointment?

Want to design from your home?

Connect with our Hugo&Borg design team to receive a free room design within 48 hours!

Email: info@hugoandborg.com

Phone: 1.833.748.HUGO (4846)



ONLINE QUICK ESTIMATE TOOL

Our easy-to-use online quick estimate tool makes it fast and fun to visualize your new kitchen. We'll even give you a quick quote!



EXCEPTIONAL SERVICE

Our friendly, knowledgeable team knows our kitchens inside out. We're here to help every step of the way.



LET'S MAKE IT HAPPEN

Start browsing our stunning door styles on the next few pages. You're sure to find the perfect one for you!

WE MAKE KITCHEN DESIGN EASY

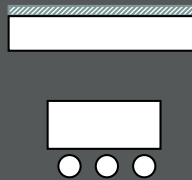
We like to keep things simple at Hugo&Borg. Our kitchen collection offers a choice of extremely well-considered designs, in just the right combination of cabinet types and size options, so you can visualize your dream kitchen layout with ease.

Here are our most popular layouts—which one is right for you? Or for something a bit different, ask our Hugo&Borg design experts!



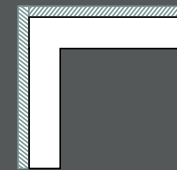
STRAIGHT

For maximum use of every square inch in small spaces, a one-wall layout keeps everything close to hand.



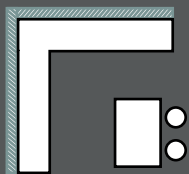
STRAIGHT - ISLAND

A highly modern, sociable layout, great for open plan living, this gives you more food preparation space without compromising style.



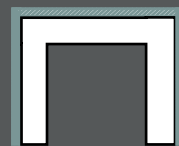
L - SHAPE

A popular layout that makes light work of the 'working triangle' between sink, range and refrigerator. The open floor area allows plenty of room for multiple cooks.



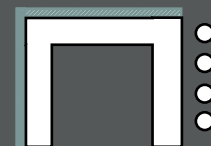
L - SHAPE ISLAND

This winning layout is both practical and sociable. There's plenty of work surface area and you can entertain while you cook!



U - SHAPE

The mighty U-shape allows for maximum cabinetry, creating optimal storage and work space.



U - SHAPE PENINSULA

The best of both worlds and ideal for open plan living; enjoy plenty of storage space and work area in a more sociable layout.

Start today to visualize your new space.

Or if you prefer to leave it to the experts, just email our Hugo&Borg team direct and we'll create a design for you—it's all part of the service.

1

CHOOSE



2

DESIGN



3

SAVE



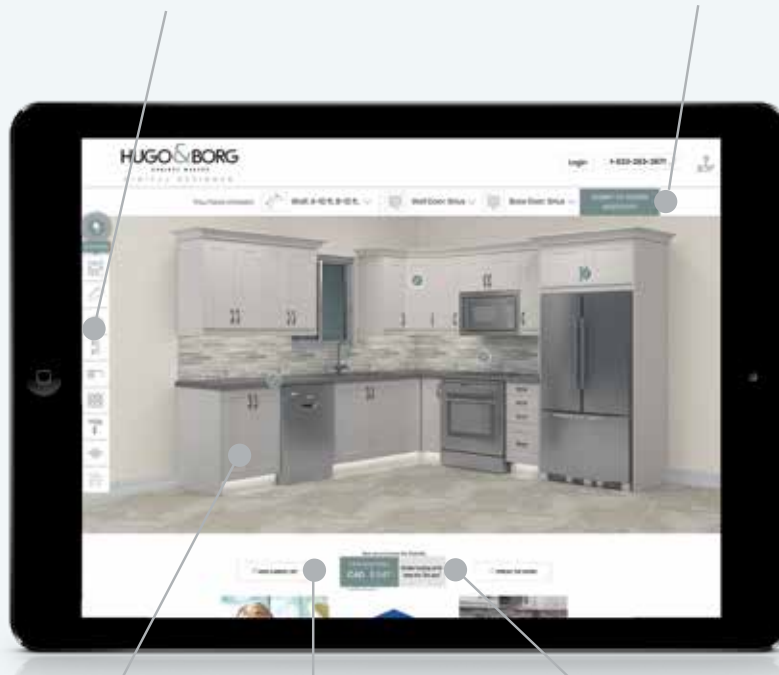
4

EMAIL



Quick-click menu: choose layout, measurements, door styles, handles, etc.

On screen-reminder of your choices



See the image change instantly

Cabinet order list is automatically generated

Immediate price and shipping date estimates

ONLINE

hugoandborg.com/digital-designer/

EMAIL

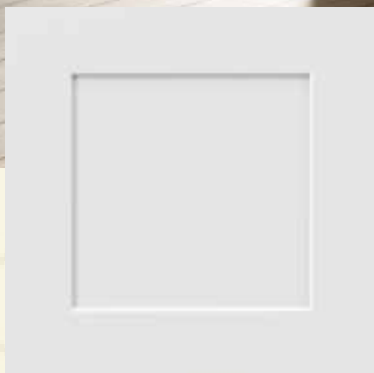
info@hugoandborg.com

PHONE

1.833.748.HUGO (4846)



COLLECTIONS



Always in style, this creamy premium-painted warm white shaker design creates an inviting cozy space.

JOLIE

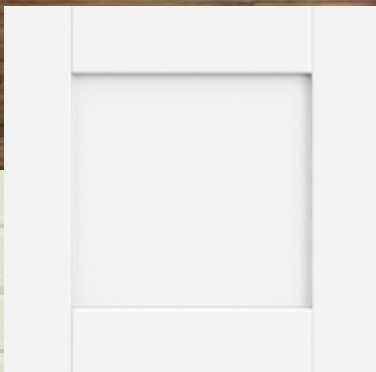




Distinctively rich, this classic premium-painted slate gray shaker style effortlessly radiates a refined warmth and beauty.

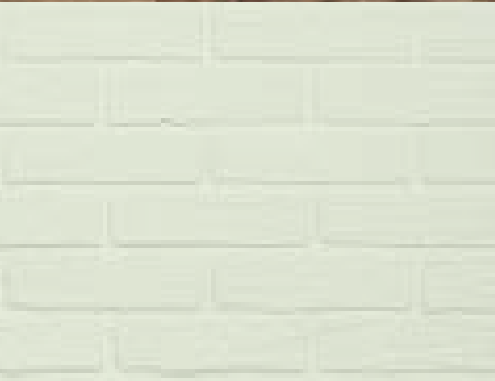
BEAUMONT





Timeless and elegant, it's easy to contrast or coordinate with this simple, bright white shaker style to create a fresh space.

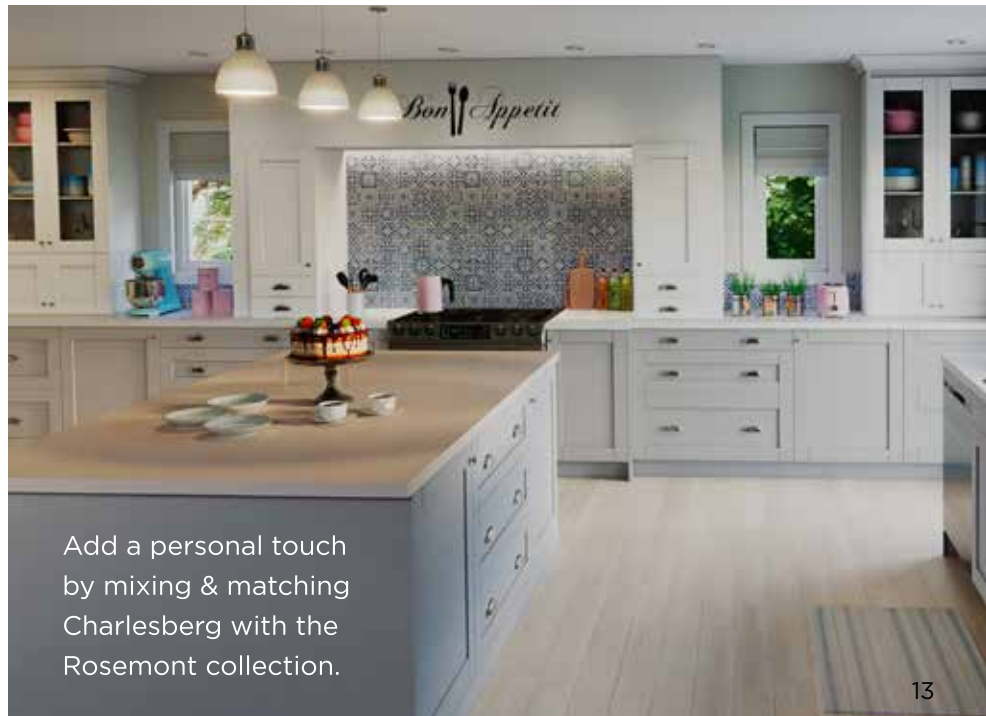
ROSEMONT



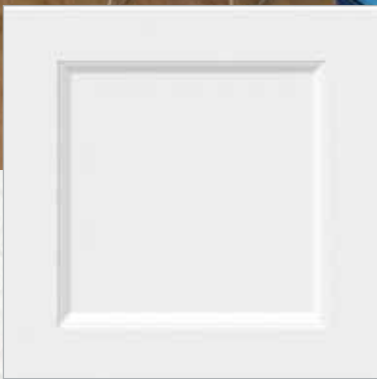


Soft and sophisticated, this light gray shaker design is sure to make a style statement and be loved for years to come.

CHARLESBERG



Add a personal touch by mixing & matching Charlesberg with the Rosemont collection.



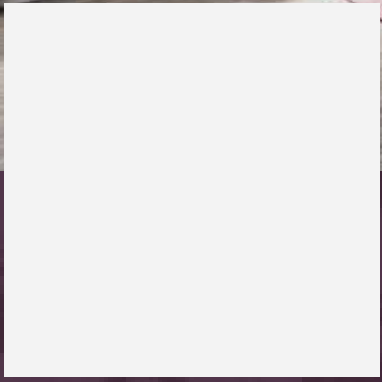
A classic and timeless bright white shaker door. It's fully versatile and coordinates easily with both neutrals and bold colors.

RIVIERA



A versatile midnight blue door that can add bold depth or serene calm. Mixes perfectly with our bright white Riviera style.

LORETTE



Modern and bright, this bright white slab door style is ideal for minimalist designs and coordinates perfectly with all accent colors.

LASALLE





A rich, deep, slab-style door—for an elevated minimalist look.

SAVANE



A beautiful and neutral light gray door that feels cozy and never cold.

BELCOURT



Jolie

CABINETS FOR THE WHOLE HOME

It's easy to combine Hugo&Borg cabinets to create functional and beautiful storage for your whole home: the mudroom, entertaining spaces, office, laundry room, bathroom and more!



Jolie



Beaumont



Charlesberg and Rosemont

CREATE A CUSTOM LOOK

Combining door styles adds a dynamic and polished look to every space. Not only does this create visual interest, but opens your décor color palette even more! Get creative and have fun with your styles!



Beaumont and Jolie

SUPERIOR CONSTRUCTION

High quality is our standard—at a price everyone can afford.

THE DIFFERENCE IS IN THE DETAILS

Sturdy slimline metal drawer boxes with full-extension undermount slides hold up to 75 lbs. Solid wood dovetail option available.

5/8-inch side gables for superior strength & durability.

Water & stain-resistant melamine interior cabinet boxes.

3/4-inch full-depth shelves for heavier storage capacity.

Designer linen pattern interior.

Easy-to-install adjustable tool-free press-in hinges. Soft-closing hinges & slides.

Frameless full-access construction eliminates the face frame around cabinet boxes for a modern look & additional storage space.

Pre-installed adjustable legs provide:

- Easy leveling on uneven floors
- Smooth gliding across floors & through tight doorways, preventing damage
- Minimized water damage

DRAWER BOX OPTIONS

Two great options with the latest technology. Select standard metal drawer boxes or our solid-wood dovetail option.



METAL DRAWER BOX



- Metal drawer box is sleek and modern
- Full-extension undermount slides provide:
 - Superior strength with a 75 lb. weight capacity
 - A wider drawer, giving extra storage space
 - Drawer extends further for easier access
 - Soft-close—reduces noise and prolongs cabinet's lifespan

SOLID WOOD DRAWER BOX



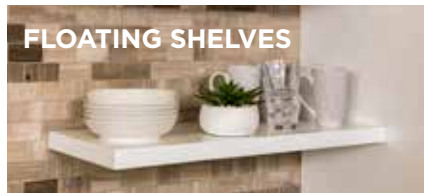
- 5/8" solid wood dovetail drawer box offers beauty and durability
- 1/4" veneered plywood fully captured bottom provides additional strength
- Clear-coated drawer box for a smooth surface
- Full-extension undermount slides provide:
 - Superior strength with a 75 lb. weight capacity
 - A wider drawer, giving extra storage space
 - Drawer extends further for easier access
 - Soft-close—reduces noise and prolongs cabinet's lifespan

FINISHING TOUCHES

Add some extra beauty on the inside! Enhance your project with functional interior storage solutions that ensure your kitchen is both practical and visually appealing. Our selection of interior accessories maximizes space, creating the organized kitchen you've always wanted. Complete the look with stylish finishing touches like our color-matched panels, moldings, and trims.



**GLASS DOORS
& GLASS SHELVES**



FLOATING SHELVES



**PULL-OUT RECYCLING/
TRASH BINS**



**COVE CROWN
MOLDINGS**



COVER PANELS



LAZY SUSAN



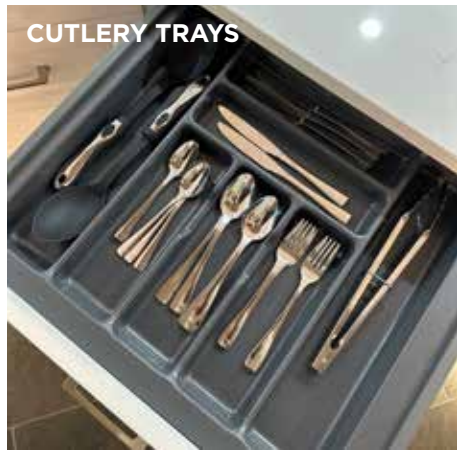
PREMIUM LAZY SUSAN



HIDDEN DRAWERS



**HIDDEN DRAWERS /
ROLL-OUT TRAYS**



CUTLERY TRAYS



DESIGNER LINEN INTERIOR



UNDER SINK MAT



LIGHT VALANCES



**LEMANS PREMIUM
CORNER PULL-OUT**



MAGIC CORNER PULL-OUT



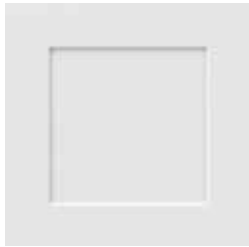
SPICE RACK PULL-OUT



BASE MOLDINGS

DOORS & DRAWER FRONTS

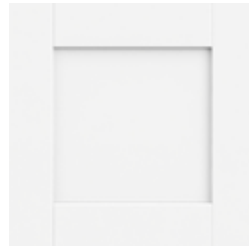
Here are our door styles at a glance. Each style comes in a wide choice of door and drawer sizes, available separately so you can create your ideal layout. Ask in-store or visit hugoandborg.com for more details.



JOLIE



BEAUMONT



ROSEMONT



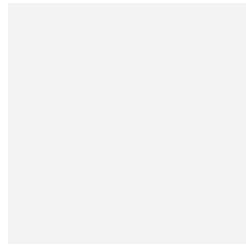
CHARLESBERG



RIVIERA



LORETTE



LASALLE



SAVANE



BELCOURT

DOOR FRONTS (W X D X H)

13 1/2 x 3/4 x 10"	12 x 3/4 x 25"	9 x 3/4 x 35"
15 x 3/4 x 10"	13 1/2 x 3/4 x 25"	12 x 3/4 x 35"
16 1/2 x 3/4 x 10"	15 x 3/4 x 25"	13 1/8 x 3/4 x 35"
18 x 3/4 x 10"	16 1/2 x 3/4 x 25"	13 1/2 x 3/4 x 35"
13 1/2 x 3/4 x 15"	18 x 3/4 x 25"	15 x 3/4 x 35"
15 x 3/4 x 15"	21 x 3/4 x 25"	16 1/2 x 3/4 x 35"
16 1/2 x 3/4 x 15"	24 x 3/4 x 25"	18 x 3/4 x 35"
18 x 3/4 x 15"	9 x 3/4 x 30"	21 x 3/4 x 35"
12 x 3/4 x 20"	11 x 3/4 x 30"	24 x 3/4 x 35"
13 1/2 x 3/4 x 20"	12 x 3/4 x 30"	9 x 3/4 x 40"
15 x 3/4 x 20"	13 1/8 x 3/4 x 30"	12 x 3/4 x 40"
16 1/2 x 3/4 x 20"	13 1/2 x 3/4 x 30"	13 1/8 x 3/4 x 40"
18 x 3/4 x 20"	15 x 3/4 x 30"	13 1/2 x 3/4 x 40"
21 x 3/4 x 20"	16 1/2 x 3/4 x 30"	15 x 3/4 x 40"
24 x 3/4 x 20"	18 x 3/4 x 30"	16 1/2 x 3/4 x 40"
	21 x 3/4 x 30"	18 x 3/4 x 40"
	24 x 3/4 x 30"	21 x 3/4 x 40"
		24 x 3/4 x 40"

DRAWER FRONTS (W X D X H)

12 x 3/4 x 5"	12 x 3/4 x 15"
15 x 3/4 x 5"	15 x 3/4 x 15"
18 x 3/4 x 5"	18 x 3/4 x 15"
21 x 3/4 x 5"	21 x 3/4 x 15"
24 x 3/4 x 5"	24 x 3/4 x 15"
27 x 3/4 x 5"	27 x 3/4 x 15"
30 x 3/4 x 5"	30 x 3/4 x 15"
33 x 3/4 x 5"	33 x 3/4 x 15"
36 x 3/4 x 5"	36 x 3/4 x 15"
12 x 3/4 x 10"	
15 x 3/4 x 10"	
18 x 3/4 x 10"	
21 x 3/4 x 10"	
24 x 3/4 x 10"	
27 x 3/4 x 10"	
30 x 3/4 x 10"	
33 x 3/4 x 10"	
36 x 3/4 x 10"	

GLASS DOOR

FRONTS (W X D X H)

13 1/8 x 3/4 x 30"
13 1/8 x 3/4 x 35"
13 1/8 x 3/4 x 40"
15 x 3/4 x 30"
15 x 3/4 x 35"
15 x 3/4 x 40"
18 x 3/4 x 30"
18 x 3/4 x 35"
18 x 3/4 x 40"

All glass doors include clear tempered glass with matching frames.*

- Lasalle glass doors have a Rosemont style frame.
- Glass doors are not available with the Savane collection.

Note

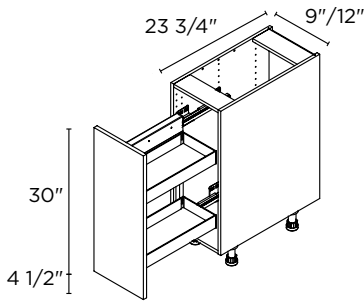
All door styles will require cover panels on the exposed areas of the cabinets, except for Lasalle, Rosemont, and Riviera.

BASE CABINET OPTIONS

Choose from our extensive collection of base cabinets, available in all the shapes and sizes you need.

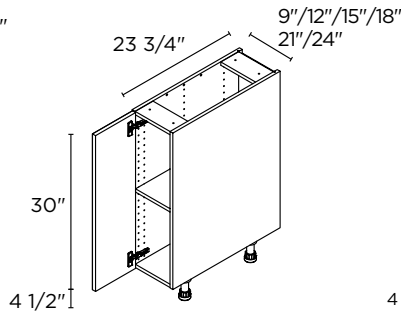
These cabinets are 34 1/2" high including legs x 24" deep. Width options are listed with each cabinet.

BASE CABINETS >



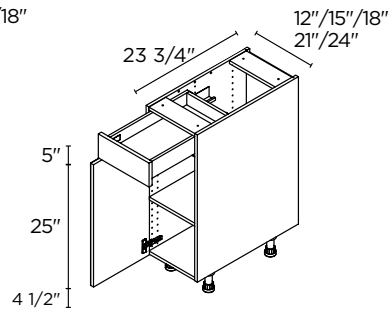
BASE SINGLE DOOR AND PULL-OUT SPICE RACK

9" | B9FHPO(L/R)
12" | B12FHPO(L/R)



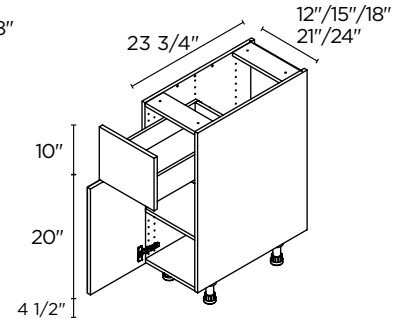
1 DOOR

9" | B9FH(L/R)
12" | B12FH(L/R)
15" | B15FH(L/R)
18" | B18FH(L/R)
21" | B21FH(L/R)
24" | B24FH(L/R)



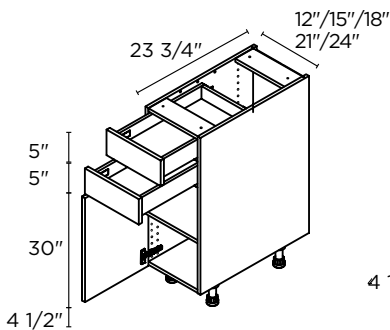
1 DOOR / 1 DRAWER

12" | B12(L/R)
15" | B15(L/R)
18" | B18(L/R)
21" | B21(L/R)
24" | B24(L/R)



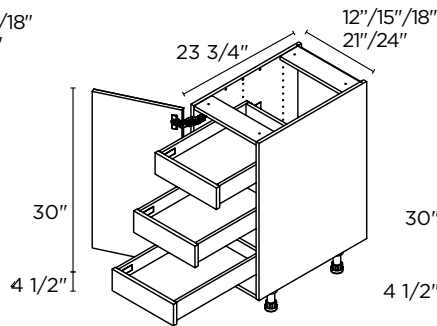
1 DOOR / 1 DRAWER

12" | B12A(L/R)
15" | B15A(L/R)
18" | B18A(L/R)
21" | B21A(L/R)
24" | B24A(L/R)



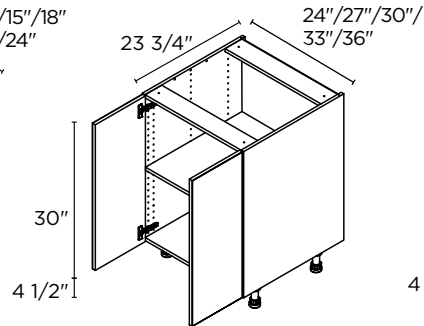
1 DOOR / 2 DRAWERS

12" | B12B(L/R)
15" | B15B(L/R)
18" | B18B(L/R)
21" | B21B(L/R)
24" | B24B(L/R)



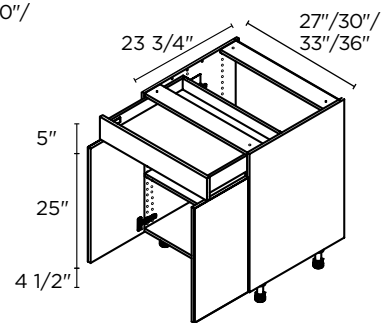
1 DOOR / 3 INNER DRAWERS

12" | B12FHI3(L/R)
15" | B15FHI3(L/R)
18" | B18FHI3(L/R)
21" | B21FHI3(L/R)
24" | B24FHI3(L/R)



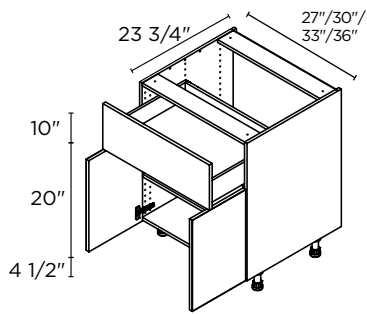
2 DOORS

24" | B24-2FH
27" | B27FH
30" | B30FH
33" | B33FH
36" | B36FH



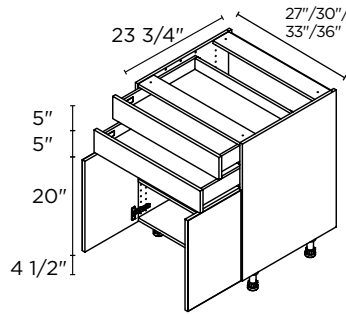
2 DOORS / 1 DRAWER

27" | B27
30" | B30
33" | B33
36" | B36



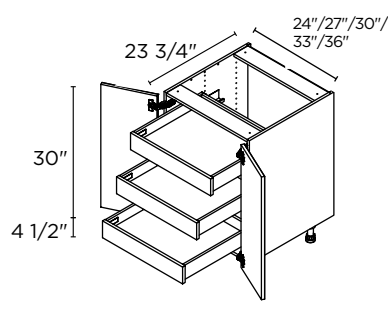
2 DOORS / 1 DRAWER

27" | B27A
30" | B30A
33" | B33A
36" | B36A



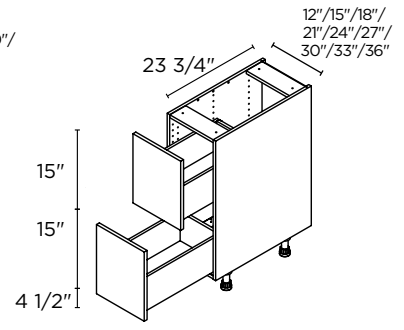
2 DOORS / 2 DRAWERS

27" | B27B
30" | B30B
33" | B33B
36" | B36B



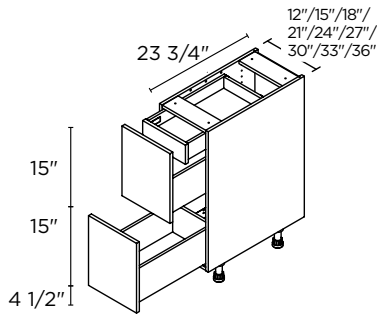
2 DOORS / 3 INNER DRAWERS

24" | B24-2FHI3 **33"** | B33FHI3
27" | B27FHI3 **36"** | B36FHI3
30" | B30FHI3



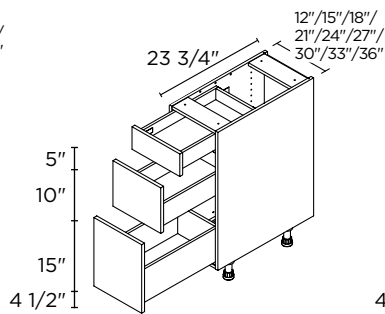
2 DRAWERS

12" | B2D12 **27"** | B2D27
15" | B2D15 **30"** | B2D30
18" | B2D18 **33"** | B2D33
21" | B2D21 **36"** | B2D36
24" | B2D24



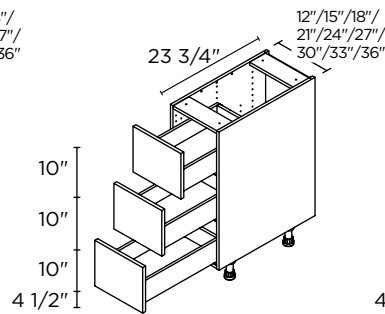
2 DRAWERS / 1 INNER DRAWER

12" | B2D1211 **27"** | B2D2711
15" | B2D1511 **30"** | B2D3011
18" | B2D1811 **33"** | B2D3311
21" | B2D2111 **36"** | B2D3611
24" | B2D2411



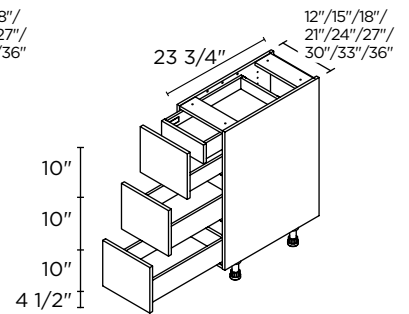
3 DRAWERS

12" | B3D12 **27"** | B3D27
15" | B3D15 **30"** | B3D30
18" | B3D18 **33"** | B3D33
21" | B3D21 **36"** | B3D36
24" | B3D24



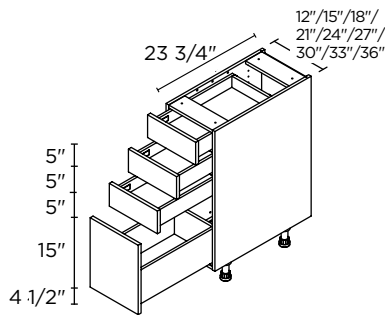
3 DRAWERS

12" | B3DA12 **27"** | B3DA27
15" | B3DA15 **30"** | B3DA30
18" | B3DA18 **33"** | B3DA33
21" | B3DA21 **36"** | B3DA36
24" | B3DA24



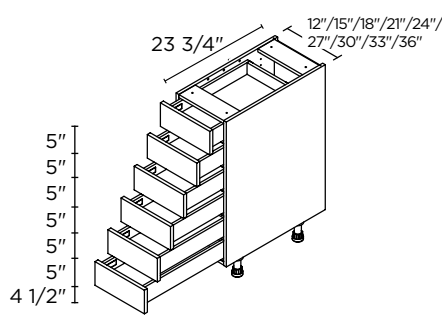
3 DRAWERS / 1 INNER DRAWER

12" | B3DA1211 **27"** | B3DA2711
15" | B3DA1511 **30"** | B3DA3011
18" | B3DA1811 **33"** | B3DA3311
21" | B3DA2111 **36"** | B3DA3611
24" | B3DA2411



4 DRAWERS

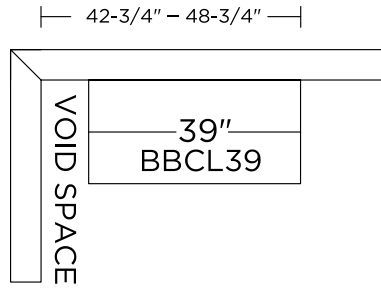
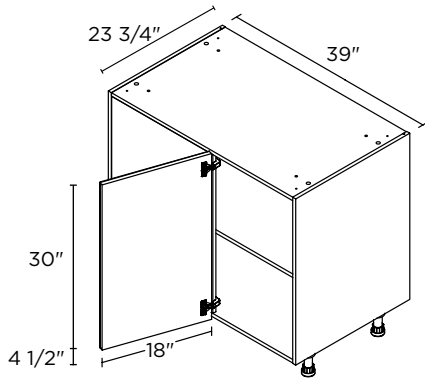
12" | B4D12 **27"** | B4D27
15" | B4D15 **30"** | B4D30
18" | B4D18 **33"** | B4D33
21" | B4D21 **36"** | B4D36
24" | B4D24



6 DRAWERS

12" | B6D12 **27"** | B6D27
15" | B6D15 **30"** | B6D30
18" | B6D18 **33"** | B6D33
21" | B6D21 **36"** | B6D36
24" | B6D24

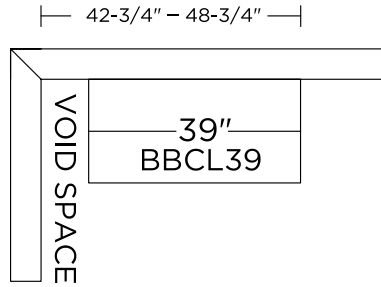
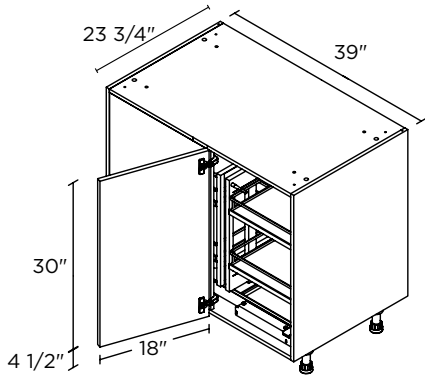
CORNER CABINETS >



**BLIND CORNER
WITH SHELF**
39" | BBCL39
39" | BBCR39



Min. 42 3/4" doesn't allow for filler / hardware clearance.
Max. 48 3/4" is with a 6" filler attached to be flush with door - filler not included.

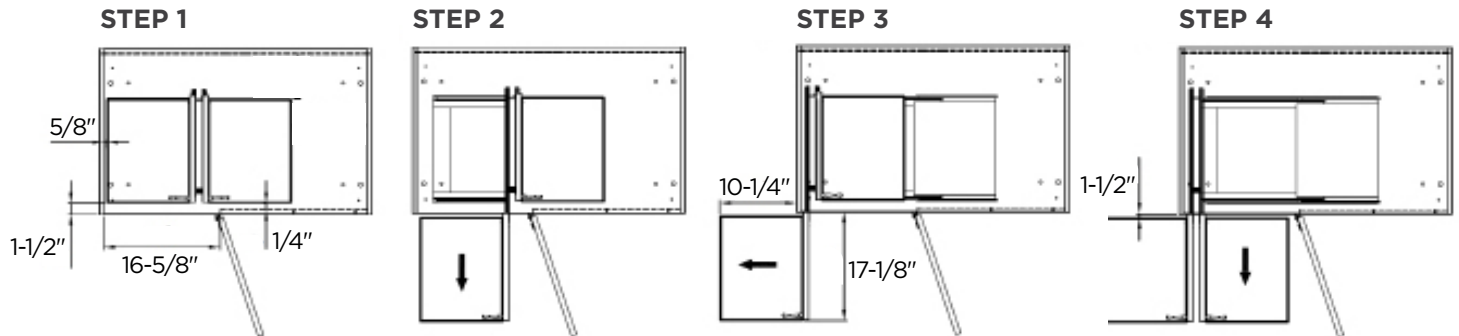


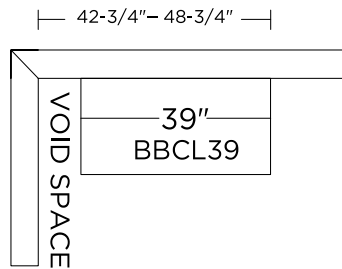
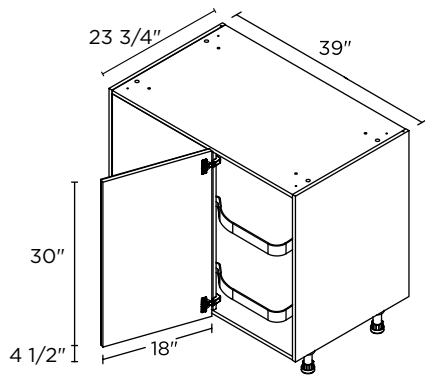
**BLIND CORNER WITH
MAGIC CORNER
PULL-OUT**
39" | BBCL39MC
39" | BBCR39MC



Min. 42 3/4" doesn't allow for filler / hardware clearance.
Max. 48 3/4" is with a 6" filler attached to be flush with door - filler not included.

For Magic Corner Pull-Out: left-opening shown below.



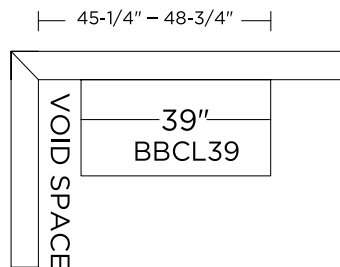
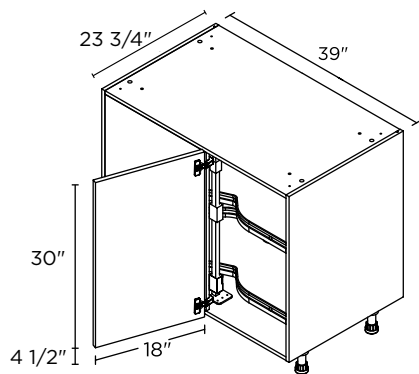


BLIND CORNER WITH LEMANS PULL-OUT

39" | BBCL39LC
39" | BBCR39LC



Min. 42 3/4" doesn't allow for filler / hardware clearance.
Max. 48 3/4" is with a 6" filler attached to be flush with door - filler not included.



BLIND CORNER WITH PREMIUM LEMANS

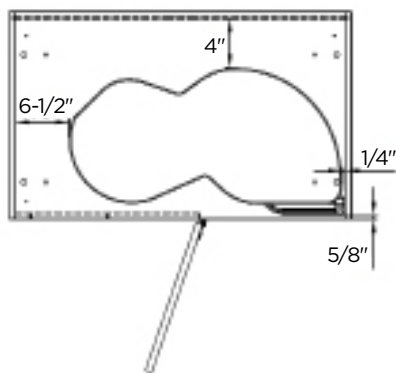
39" | BBCL39LCP
39" | BBCR39LCP



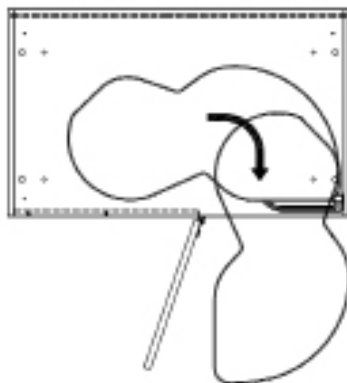
Min. 45 1/4" doesn't allow for filler / hardware clearance.
Max. 48 3/4" is with a 6" filler attached to be flush with door - filler not included.

For Premium Lemans Pull-Out: left-opening shown below.

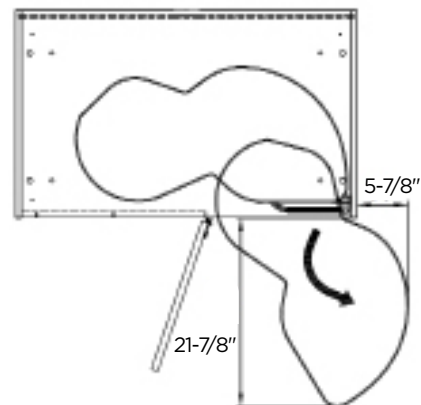
STEP 1: Cabinet door opens.

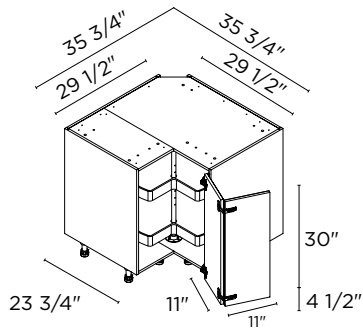


STEP 2: Top or bottom tray swings out.

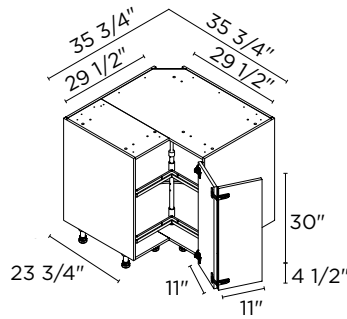


STEP 3: Then swings completely out of the cabinet.





CORNER WITH LAZY SUSAN
36" | BC36LS(L/R)

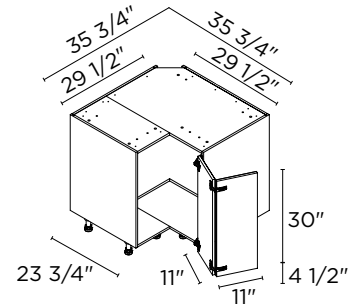


CORNER WITH PREMIUM LAZY SUSAN
36" | BC36LSP(L/R)



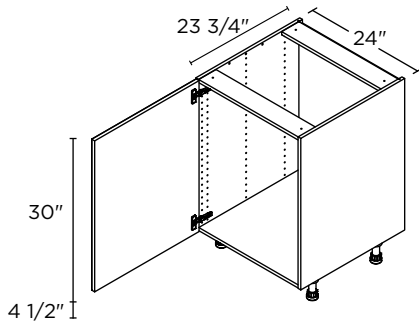
Lazy Susan and Premium Lazy Susan rod height adjustments:

Minimum: 23 5/8"
 Maximum: 28 3/4"

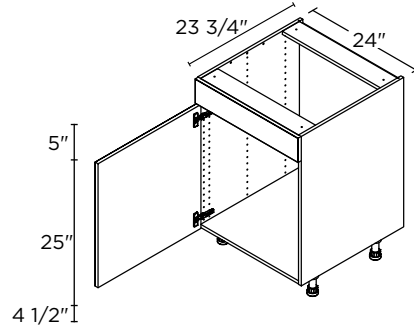


CORNER WITH SHELF
36" | BC36(L/R)

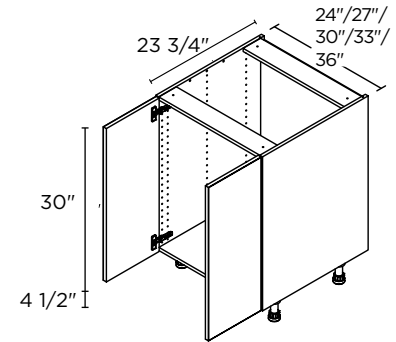
SINK CABINETS >



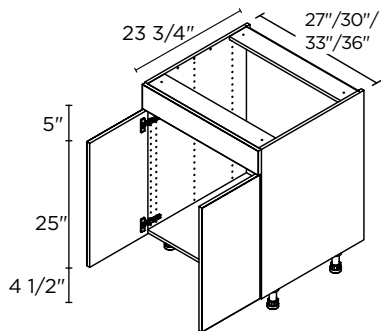
1 DOOR
24" | SB24FH(L/R)



1 DOOR / 1 FIXED FRONT
24" | SB24FF(L/R)

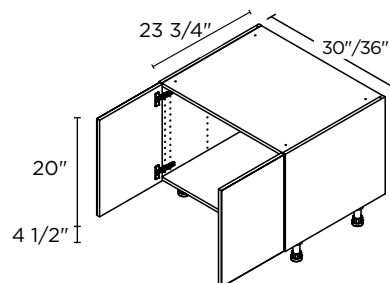


2 DOORS
24" | SB24-2FH 33" | SB33FH
27" | SB27FH 36" | SB36FH
30" | SB30FH



2 DOORS / 1 FIXED FRONT
27" | SB27FF 33" | SB33FF
30" | SB30FF 36" | SB36FF

FARM SINK CABINETS >

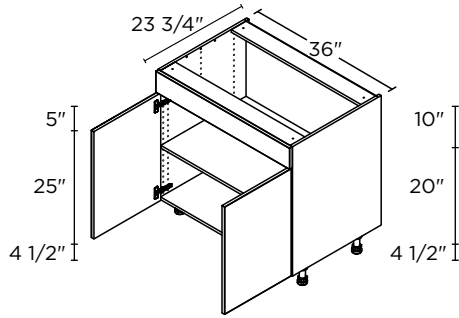


2 DOORS
30" | SBAS30
36" | SBAS36

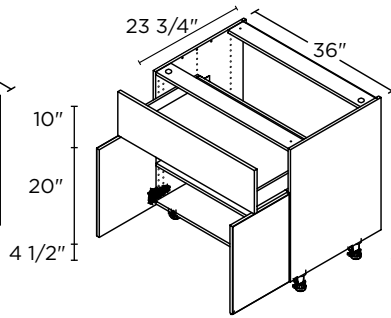


A separate drawer front must be ordered to complete.

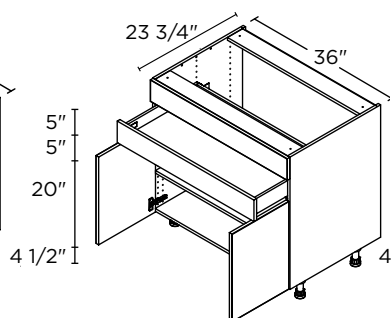
COOKTOP CABINETS >



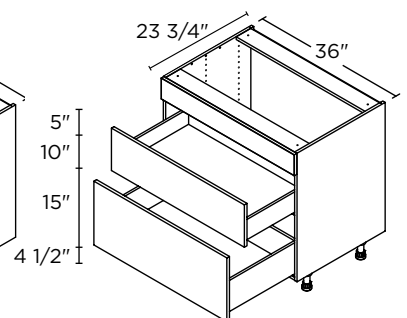
2 DOORS / 1 FIXED FRONT
36" | BCT36FF



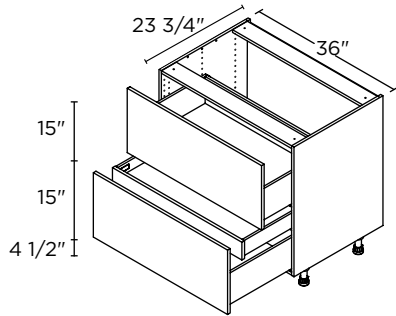
2 DOORS / 1 DRAWER
36" | BCT36A



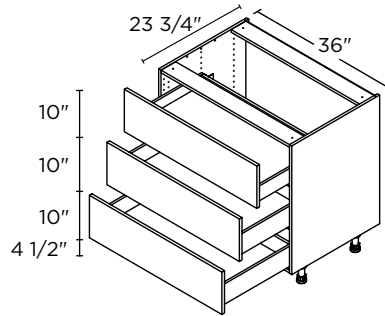
2 DOORS / 1 DRAWER / 1 FIXED FRONT
36" | BCT36BFF



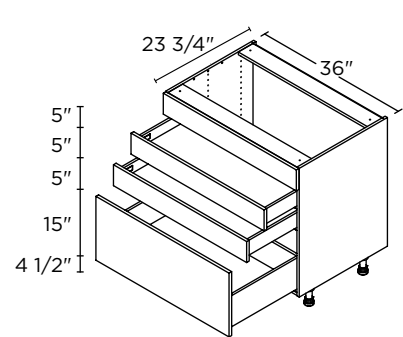
2 DRAWERS / 1 FIXED FRONT
36" | BCT3D36FF



2 DRAWERS / 1 INNER DRAWER
36" | BCT2D36II

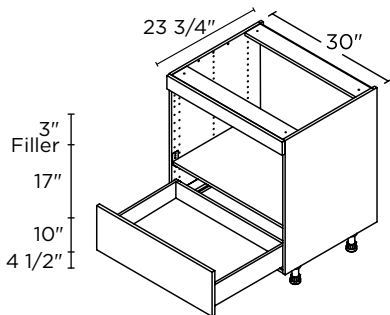


3 DRAWERS
36" | BCT3D36A



3 DRAWERS / 1 FIXED FRONT
36" | BCT4D36FF

MICROWAVE CABINET <

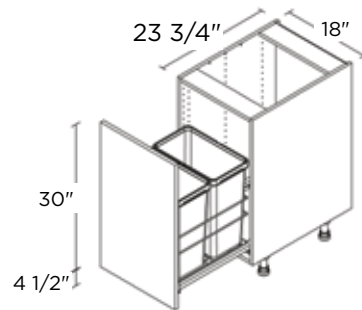


1 DRAWER
30" | BMW30

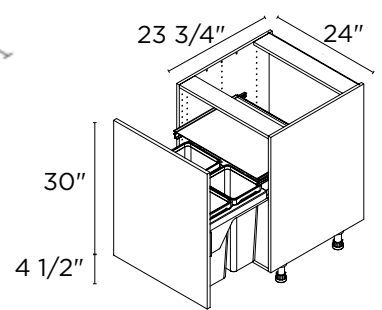


Note
Cut-out size:
28 1/2" wide x 17" high.
Filler can be cut to
adjust height opening
17" to 20".

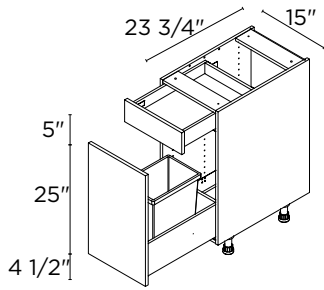
WASTE/RECYCLE CABINETS >



FULL HEIGHT DOOR
18" | B18FHSWB
Comes with 2 bins.



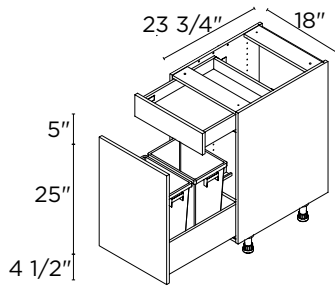
FULL HEIGHT DOOR
24" | B24FHSWB
Comes with 3 bins and top
metal sliding lid.



PULL-OUT / 1 DRAWER

15" | BPO15

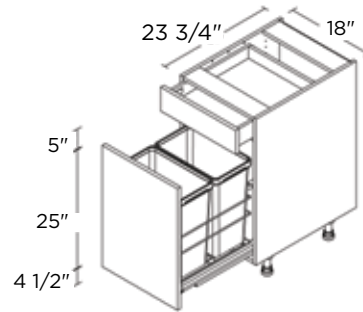
Comes with 1 bin.



PULL-OUT / 1 DRAWER

18" | BPO18

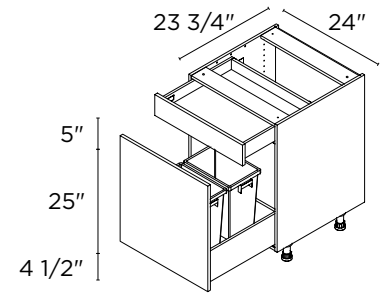
Comes with 2 bins.



PULL-OUT / 1 DRAWER

18" | B18SWB

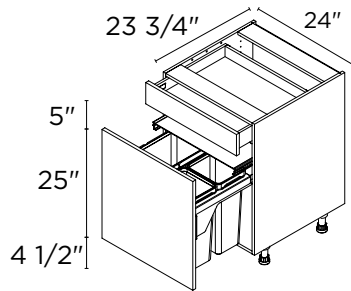
Comes with 2 bins.



PULL-OUT / 1 DRAWER

24" | BPO24

Comes with 2 bins.

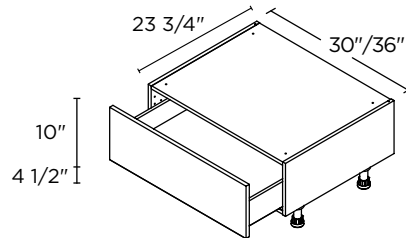


PULL-OUT / 1 DRAWER

24" | B24SWB

Comes with 3 bins and top metal sliding lid.

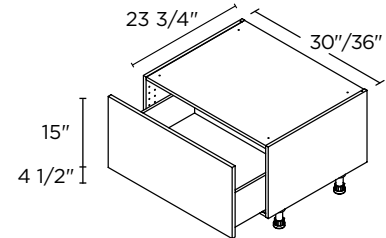
BASE WINDOW SEAT / BANQUETTE CABINETS



1 DRAWER

30" | BWS3010

36" | BWS3610



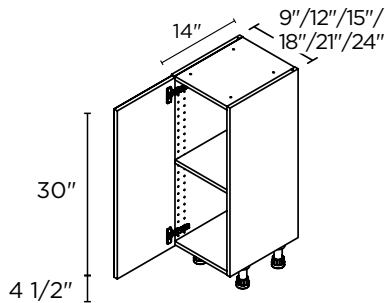
1 DRAWER

30" | BWS3015

36" | BWS3615

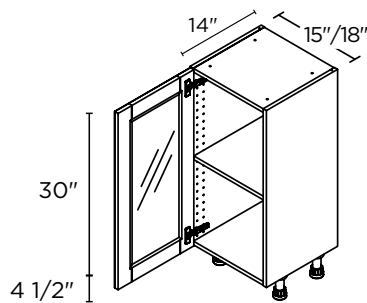
SHALLOW BASE CABINETS

*Glass shelves can be purchased separately.



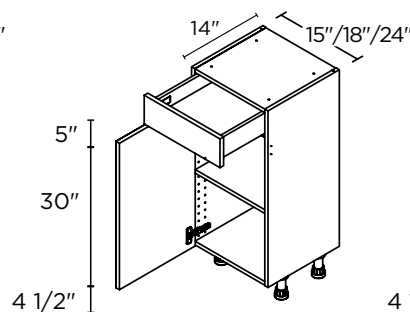
1 DOOR

9" | B914FH(L/R) 18" | B1814FH(L/R)
12" | B1214FH(L/R) 21" | B2114FH(L/R)
15" | B1514FH(L/R) 24" | B2414FH(L/R)



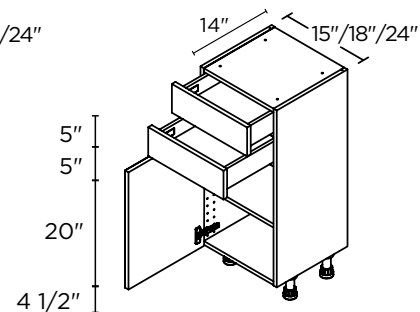
1 GLASS DOOR*

15" | BG1514FH(L/R)
18" | BG1814FH(L/R)



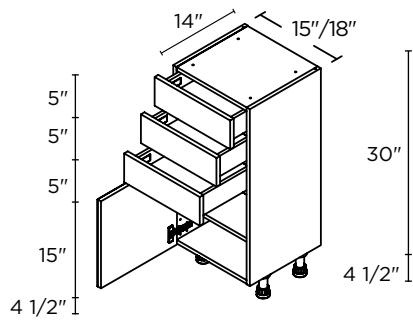
1 DOOR / 1 DRAWER

15" | B1514(L/R)
18" | B1814(L/R)
24" | B2414(L/R)



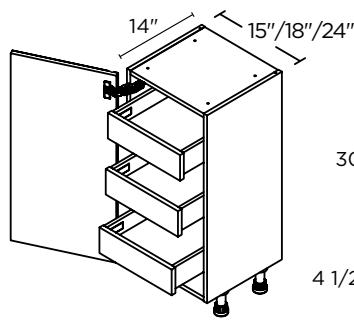
1 DOOR / 2 DRAWERS

15" | B1514B(L/R)
18" | B1814B(L/R)
24" | B2414B(L/R)



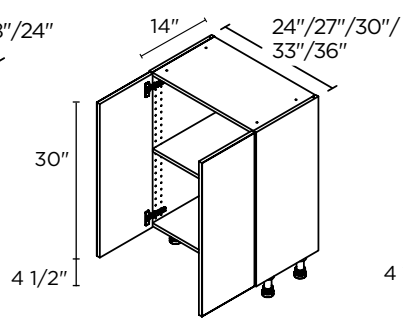
1 DOOR / 3 DRAWERS

15" | B1514C(L/R)
18" | B1814C(L/R)



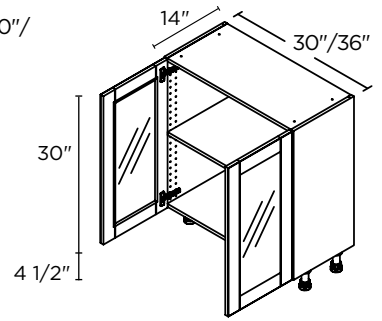
1 DOOR / 3 INNER DRAWERS

15" | B1514FHI3(L/R)
18" | B1814FHI3(L/R)
24" | B2414FHI3(L/R)



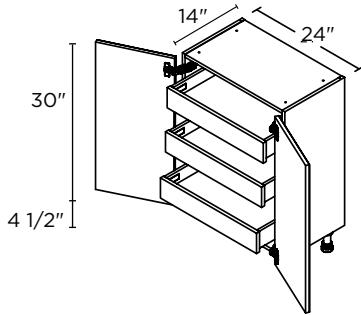
2 DOORS

24" | B2414-2FH 33" | B3314FH
27" | B2714FH 36" | B3614FH
30" | B3014FH



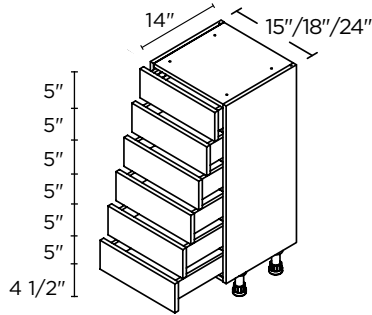
2 GLASS DOORS*

30" | BG3014FH
36" | BG3614FH



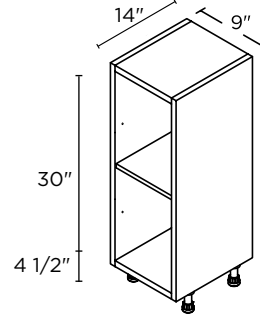
2 DOORS / 3 INNER DRAWERS

24" | B2414-2FHI3



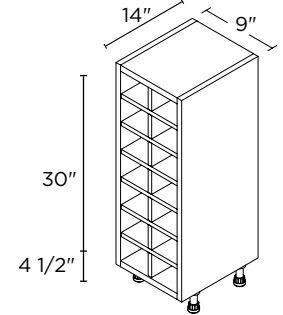
6 DRAWERS

15" | B6D1514 24" | B6D2414
18" | B6D1814



BASE OPEN SHELF

9" | BOS930

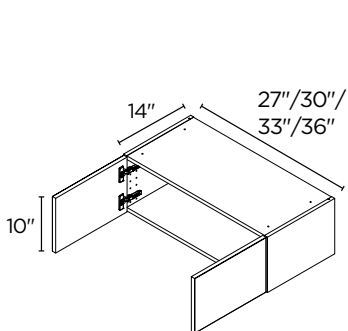


BASE WINE RACK

9" | BWC930

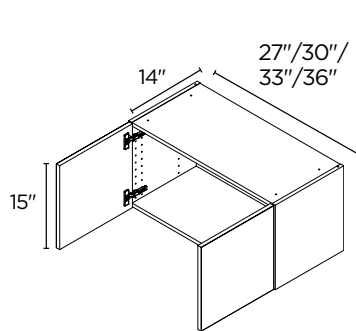
WALL CABINETS

*Glass shelves can be purchased separately.



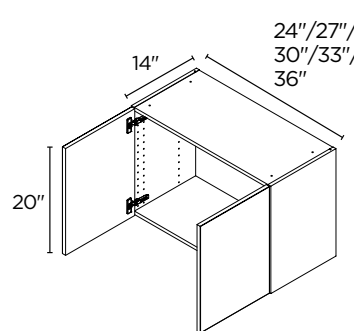
10" HIGH 2 DOORS

27" | W2710 33" | W3310
30" | W3010 36" | W3610



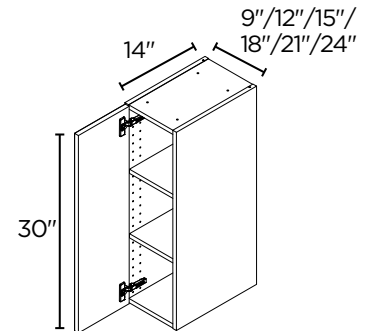
15" HIGH 2 DOORS

27" | W2715 33" | W3315
30" | W3015 36" | W3615



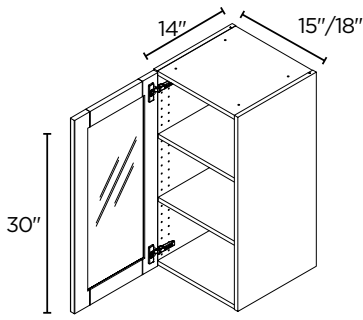
20" HIGH 2 DOORS

24" | W2420-2 33" | W3320
27" | W2720 36" | W3620
30" | W3020



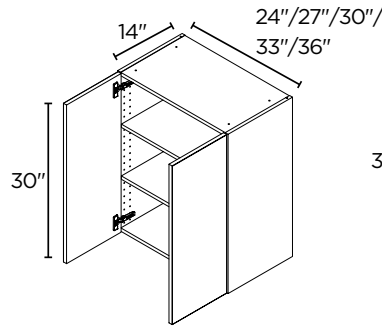
30" HIGH 1 DOOR

9" | W930(L/R) 18" | W1830(L/R)
12" | W1230(L/R) 21" | W2130(L/R)
15" | W1530(L/R) 24" | W2430(L/R)



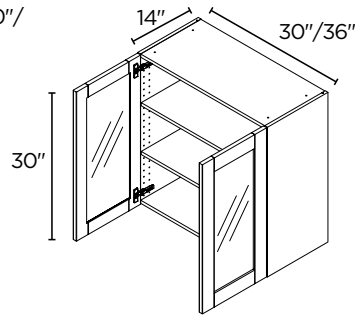
30" HIGH / 1 GLASS DOOR*

15" | WG1530(L/R)
18" | WG1830(L/R)



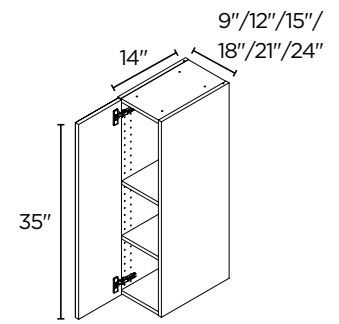
30" HIGH / 2 DOORS

24" | W2430-2 33" | W3330
27" | W2730 36" | W3630
30" | W3030



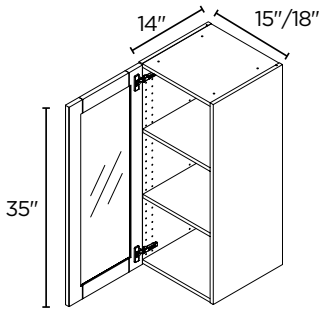
30" HIGH / 2 GLASS DOORS*

30" | WG3030
36" | WG3630



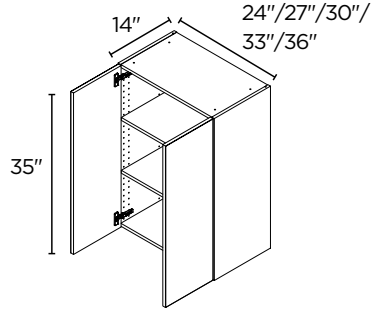
35" HIGH / 1 DOOR

9" | W935(L/R) 21" | W2135(L/R)
12" | W1235(L/R) 24" | W2435(L/R)
15" | W1535(L/R) 33" | W3335(L/R)
18" | W1835(L/R)



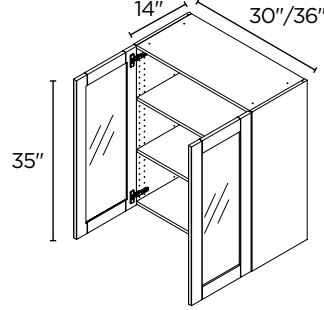
35" HIGH / 1 GLASS DOOR*

15" | WG1535(L/R)
18" | WG1835(L/R)



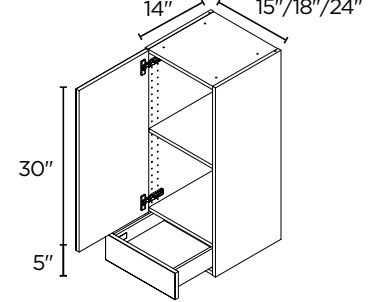
35" HIGH / 2 DOORS

24" | W2435-2 33" | W3335
27" | W2735 36" | W3635
30" | W3035



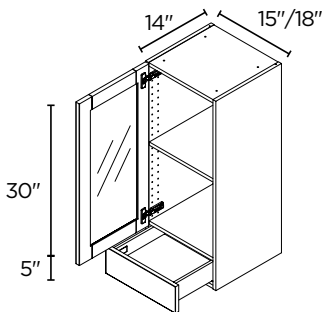
35" HIGH / 2 GLASS DOORS*

30" | WG3035
36" | WG3635



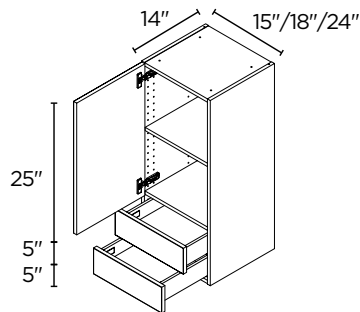
35" HIGH / 1 DOOR / 1 DRAWER

15" | W1535A(L/R)
18" | W1835A(L/R)
24" | W2435A(L/R)



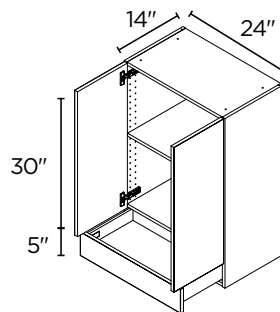
35" HIGH / 1 GLASS DOOR* / 1 DRAWER

15" | WG1535A(L/R)
18" | WG1835A(L/R)



35" HIGH / 1 DOOR / 2 DRAWERS

15" | W1535B(L/R)
18" | W1835B(L/R)
24" | W2435B(L/R)

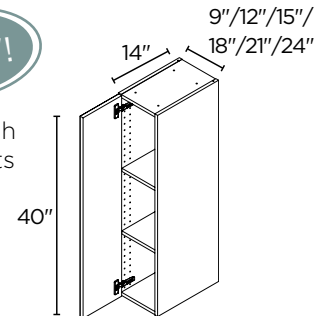


35" HIGH / 2 DOORS / 1 DRAWER

24" | W2435-2A

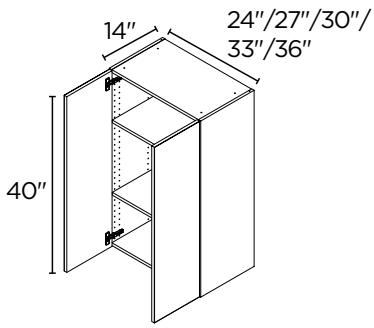


40" High Cabinets



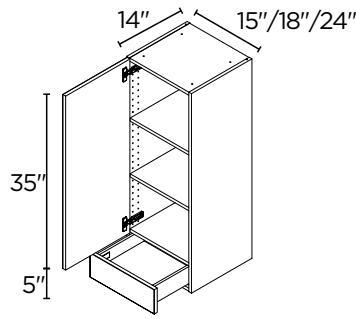
40" HIGH / 1 DOOR

9" | W940(L/R) 18" | W1840(L/R)
12" | W1240(L/R) 21" | W2140(L/R)
15" | W1540(L/R) 24" | W2440(L/R)



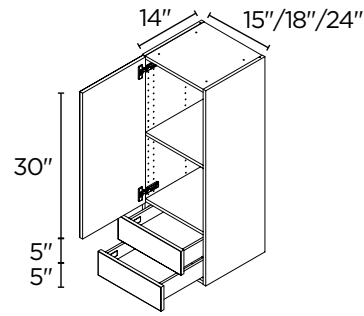
40" HIGH / 2 DOORS

24" | W2440-2 33" | W3340
 27" | W2740 36" | W3640
 30" | W3040



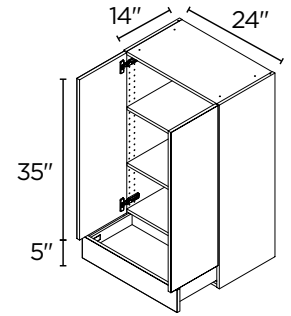
40" HIGH / 1 DOOR / 1 DRAWER

15" | W1540A(L/R)
 18" | W1840A(L/R)
 24" | W2440A(L/R)



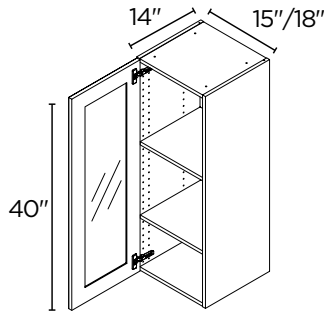
40" HIGH / 1 DOOR / 2 DRAWERS

15" | W1540B(L/R)
 18" | W1840B(L/R)
 24" | W2440B(L/R)



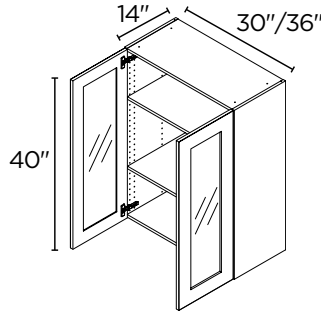
40" HIGH / 2 DOORS / 1 DRAWER

24" | W2440-2A



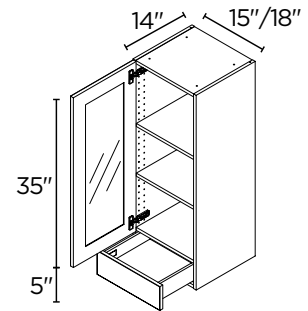
40" HIGH / 1 GLASS DOOR*

15" | WG1540(L/R)
 18" | WG1840(L/R)



40" HIGH / 2 GLASS DOORS*

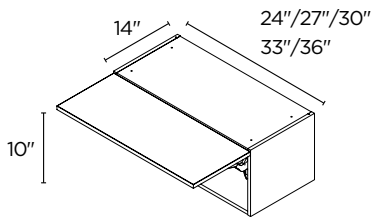
30" | WG3040
 36" | WG3640



40" HIGH / 1 GLASS DOOR* / 1 DRAWER

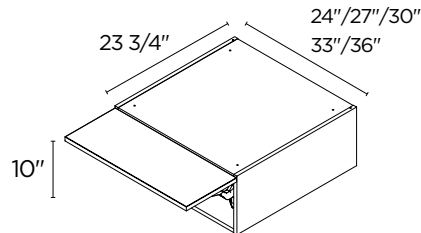
15" | WG1540A(L/R)
 18" | WG1840A(L/R)

LIFT-UP WALL CABINETS > *Glass shelves can be purchased separately.



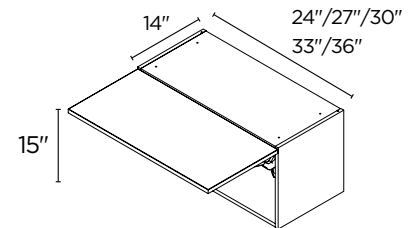
10" HIGH / 1 LIFT-UP DOOR

24" | WLU2410 33" | WLU3310
 27" | WLU2710 36" | WLU3610
 30" | WLU3010



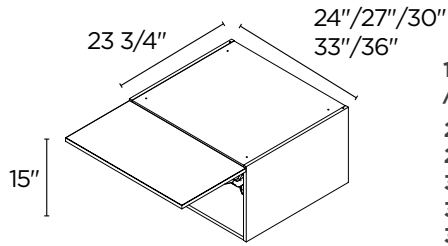
10" HIGH / 1 LIFT-UP DOOR

24" | WLU241024 33" | WLU331024
 27" | WLU271024 36" | WLU361024
 30" | WLU301024



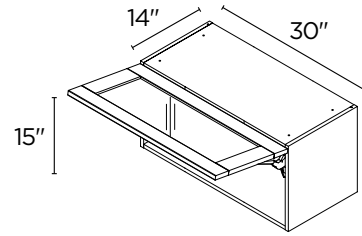
15" HIGH / 1 LIFT-UP DOOR

24" | WLU2415 33" | WLU3315
 27" | WLU2715 36" | WLU3615
 30" | WLU3015



**15" HIGH
/ 1 LIFT-UP DOOR**

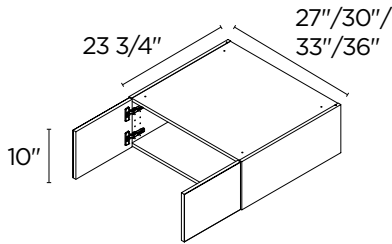
24" | WLU241524
27" | WLU271524
30" | WLU301524
33" | WLU331524
36" | WLU361524



**15" HIGH / 1 GLASS
LIFT-UP DOOR***

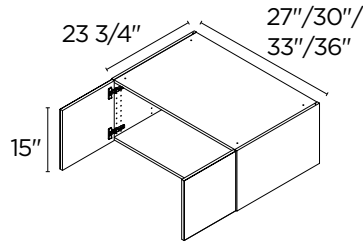
30" | WLUG3015

DEEP WALL CABINETS >



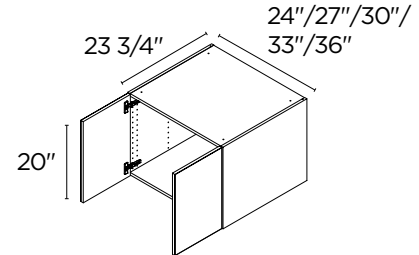
10" HIGH / 2 DOORS

27" | W271024 **33"** | W331024
30" | W301024 **36"** | W361024



15" HIGH / 2 DOORS

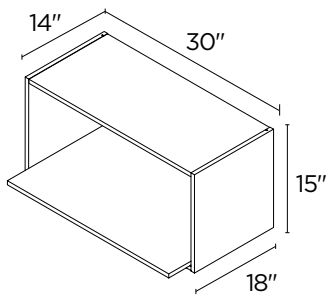
27" | W271524 **33"** | W331524
30" | W301524 **36"** | W361524



20" HIGH / 2 DOORS

24" | W242024 **33"** | W332024
27" | W272024 **36"** | W362024
30" | W302024

WALL MICROWAVE SHELF CABINET >



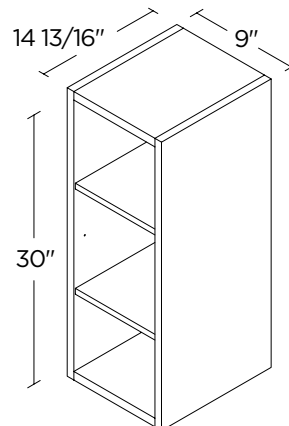
15" HIGH

30" | WMS3015



Note
 The cabinet features a matching interior. Shelf is removable.

SPECIALTY WALL CABINETS >

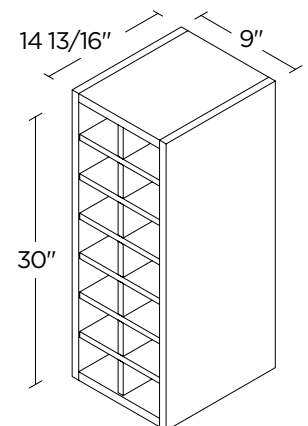


WALL OPEN SHELF

9" | WOS930



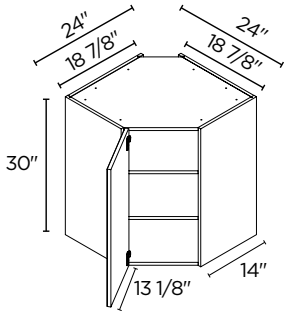
Note
 Open shelf and wine rack wall cabinets can have a vertical or horizontal installation.



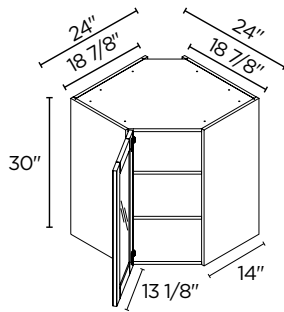
WALL WINE RACK

9" | WWR930

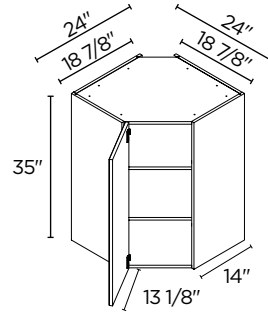
CORNER WALL CABINETS > *Glass shelves can be purchased separately.



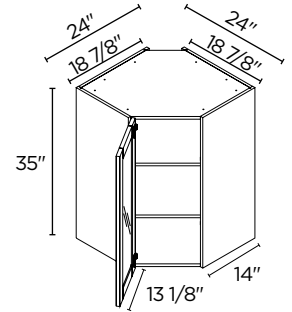
30" HIGH / 1 DOOR
24" | WA2430(L/R)



30" HIGH / 1 GLASS DOOR*
24" | WAG2430(L/R)



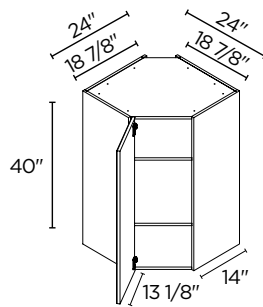
35" HIGH / 1 DOOR
24" | WA2435(L/R)



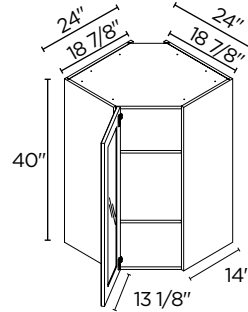
35" HIGH / 1 GLASS DOOR*
24" | WAG2435(L/R)



40" High Cabinets

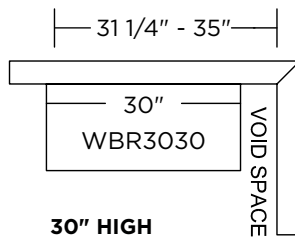
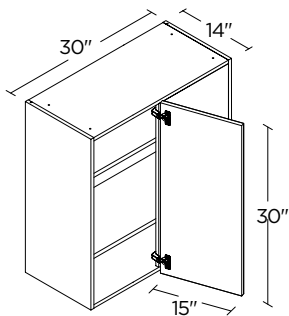


40" HIGH / 1 DOOR
24" | WA2440(L/R)

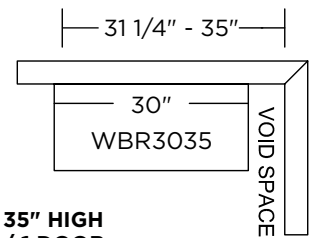
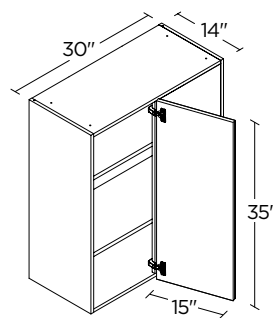


40" HIGH / 1 GLASS DOOR*
24" | WAG2440(L/R)

BLIND CORNER WALL CABINETS >



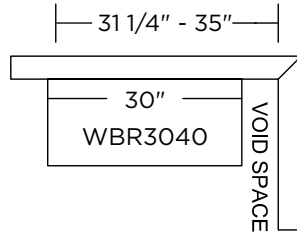
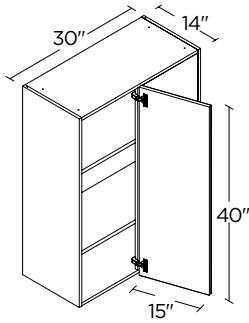
30" HIGH / 1 DOOR
30" | WBL3030
30" | WBR3030



35" HIGH / 1 DOOR
35" | WBL3035
35" | WBR3035



Max. 35" is with 6" filler attached to be flush with the door - the filler is not included. The panel next to the door is white for all collections. A filler is required. Right-hand shown in illustrations.



**40" HIGH
/ 1 DOOR**

**40" | WBL3040
40" | WBR3040**

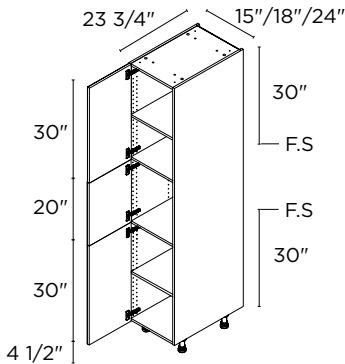


Min. 31 1/4" doesn't allow for filler / hardware clearance.
Max. 35" is with a 6" filler attached to be flush with door - filler not included.
Right-hand shown in illustrations.

84 1/2" H TALL CABINET OPTIONS

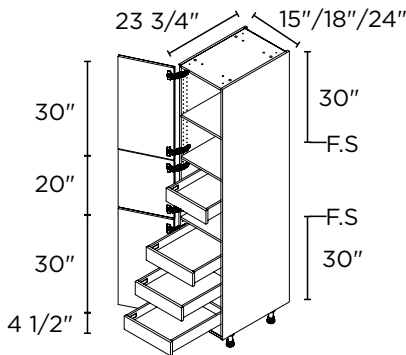
Choose from our extensive collection of tall cabinets, available in all the shapes and sizes you need.
These cabinets are 24" deep x 84 1/2" high. Width options are listed with each cabinet.

84 1/2" H TALL APPLIANCE CABINETS >



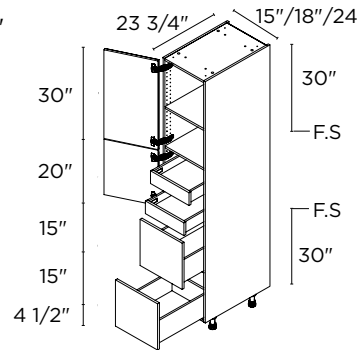
3 DOORS

**15" | T152484.5(L/R)
18" | T182484.5(L/R)
24" | T242484.5(L/R)**



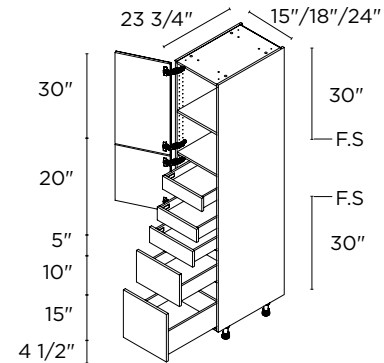
**3 DOORS / 4 INNER
DRAWERS**

**15" | T152484.5I4(L/R)
18" | T182484.5I4(L/R)
24" | T242484.5I4(L/R)**



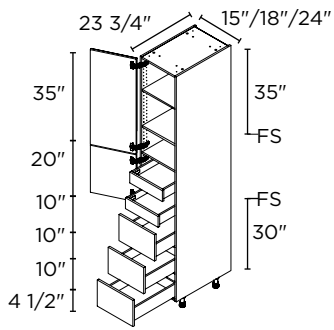
**2 DOORS / 2 DRAWERS
/ 2 INNER DRAWERS**

**15" | T2D152484.5I2(L/R)
18" | T2D182484.5I2(L/R)
24" | T2D242484.5I2(L/R)**



**2 DOORS / 3 DRAWERS
/ 2 INNER DRAWERS**

**15" | T3D152484.5I2(L/R)
18" | T3D182484.5I2(L/R)
24" | T3D242484.5I2(L/R)**

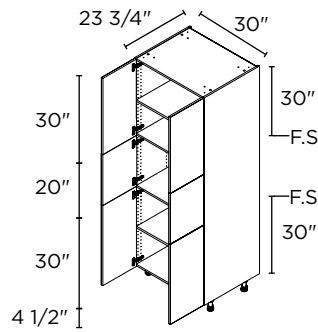


**2 DOORS / 3 DRAWERS
/ 2 INNER DRAWERS**

15" | T3DA152484.5I2(L/R)

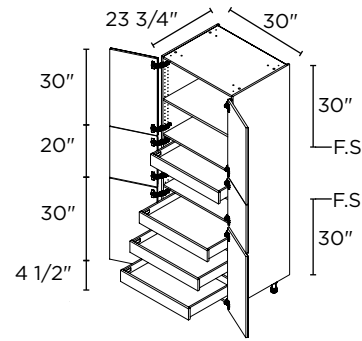
18" | T3DA182484.5I2(L/R)

24" | T3DA242484.5I2(L/R)



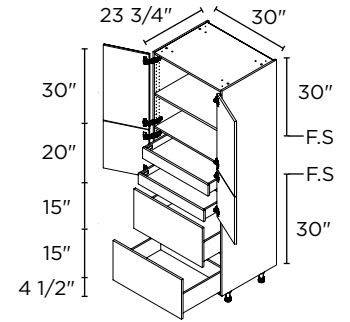
6 DOORS

30" | T302484.5



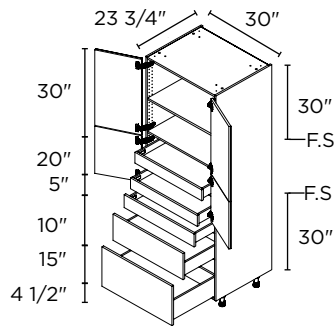
**6 DOORS / 4 INNER
DRAWERS**

30" | T302484.5I4



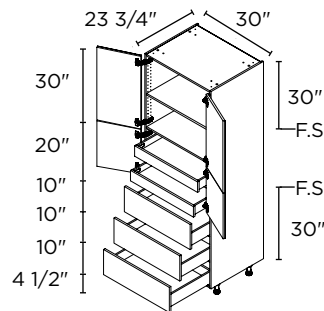
**4 DOORS / 2 DRAWERS
/ 2 INNER DRAWERS**

30" | T2D302484.5I2



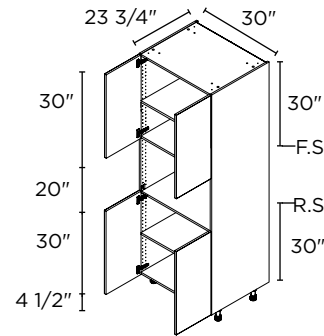
**4 DOORS / 3 DRAWERS /
2 INNER DRAWERS**

30" | T3D302484.5I2



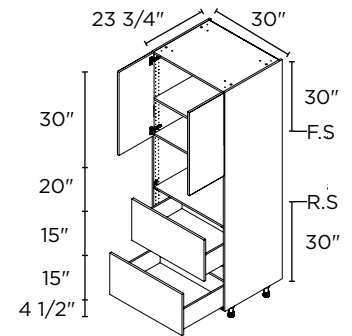
**4 DOORS / 3 DRAWERS
/ 2 INNER DRAWERS**

30" | T3DA302484.5I2



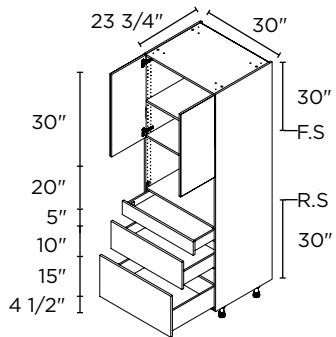
**MICROWAVE¹
4 DOORS**

30" | TM3084.5



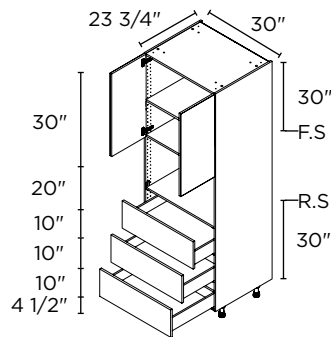
**MICROWAVE¹
2 DOORS / 2 DRAWERS**

30" | TM2D3084.5



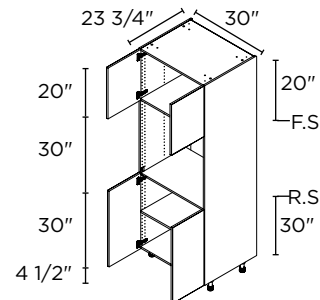
**MICROWAVE¹
2 DOORS / 3 DRAWERS**

30" | TM3D3084.5



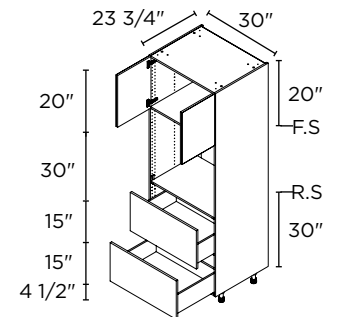
**MICROWAVE¹
2 DOORS / 3 DRAWERS**

30" | TM3DA3084.5



**SINGLE OVEN⁴
4 DOORS**

30" | TO3084.5

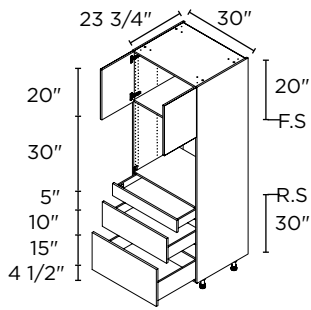


**SINGLE OVEN
2 DOORS / 2 DRAWERS**

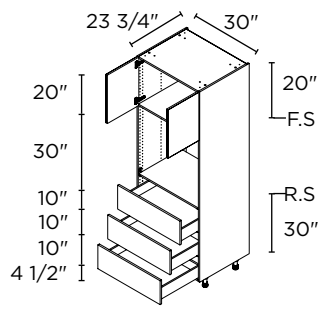
30" | TO2D3084.5

RS = Reinforced Shelf. FS = Fixed Shelf. **Appliance cut-out sizes:** (use of a filler is required and must be ordered separately):

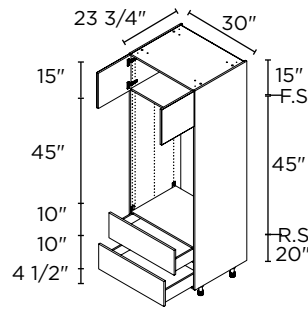
¹ 28 1/2" width x 18 1/2" high. ² 28 1/2" width x 43 1/2" high. ³ 28 1/2" width x 53 1/2" high. ⁴ 28 1/2" width x 28 1/2" high.



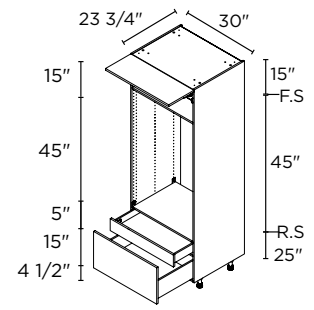
SINGLE OVEN ⁴
2 DOORS / 3 DRAWERS
30" | TO3D3084.5



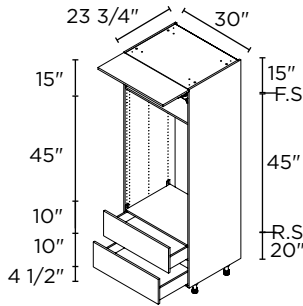
SINGLE OVEN ⁴
2 DOORS / 3 DRAWERS
30" | TO3DA3084.5



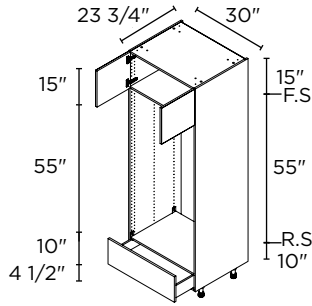
MICRO/WALL OVEN ²
2 DOORS / 2 DRAWERS
30" | TMO2DA3084.5



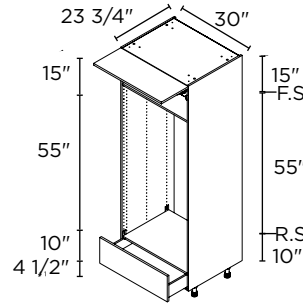
MICRO/WALL OVEN ²
1 LIFT-UP DOOR / 2 DRAWERS
30" | Tمول2D3084.5



MICRO/WALL OVEN ²
1 LIFT-UP DOOR / 2 DRAWERS
30" | Tمول2DA3084.5



DOUBLE OVEN ³
2 DOORS / 1 DRAWER
30" | TDOA3084.5

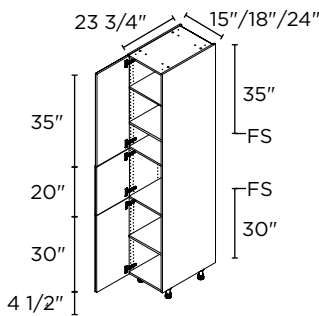


DOUBLE OVEN ³
1 LIFT-UP DOOR / 1 DRAWER
30" | TDOLA3084.5

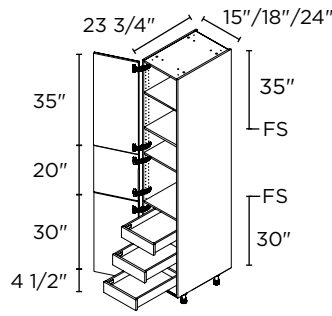
89 1/2" H TALL CABINET OPTIONS

Choose from our extensive collection of tall cabinets, available in all the shapes and sizes you need.

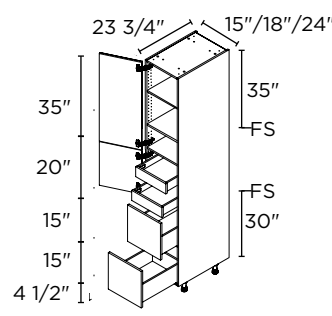
These cabinets are 24" deep x 89 1/2" high. Width options are listed with each cabinet.



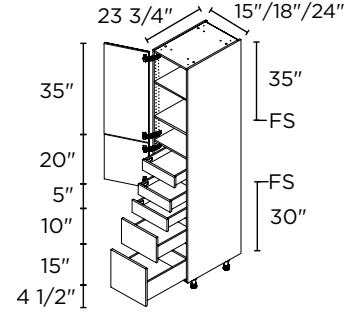
3 DOORS
15" | T152489.5(L/R)
18" | T182489.5(L/R)
24" | T242489.5(L/R)



3 DOORS / 3 INNER DRAWERS
15" | T152489.5I3(L/R)
18" | T182489.5I3(L/R)
24" | T242489.5I3(L/R)

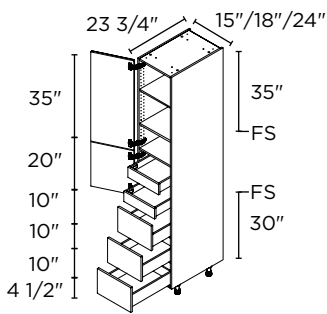


2 DOORS / 2 DRAWERS / 2 INNER DRAWERS
15" | T2D152489.5I2(L/R)
18" | T2D182489.5I2(L/R)
24" | T2D242489.5I2(L/R)



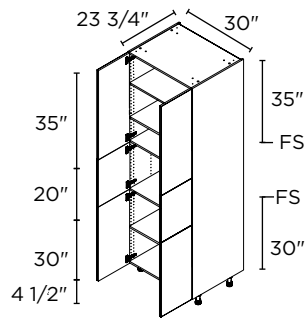
2 DOORS / 3 DRAWERS / 2 INNER DRAWERS
15" | T3D152489.5I2(L/R)
18" | T3D182489.5I2(L/R)
24" | T3D242489.5I2(L/R)

RS = Reinforced Shelf. FS = Fixed Shelf. **Appliance cut-out sizes:** (use of a filler is required and must be ordered separately):
¹28 1/2" width x 18 1/2" high. ²28 1/2" width x 43 1/2" high. ³28 1/2" width x 53 1/2" high. ⁴28 1/2" width x 28 1/2" high.

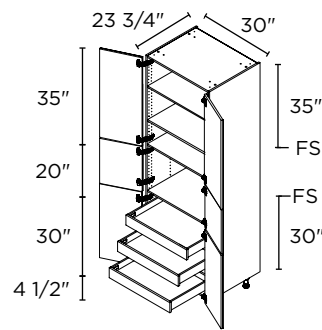


**2 DOORS / 3 DRAWERS /
2 INNER DRAWERS**

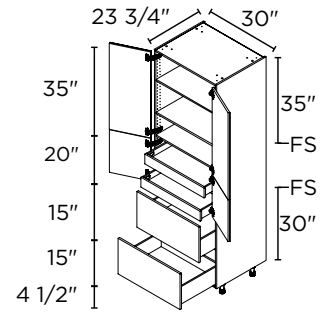
15" | T3DA152489.512(L/R)
18" | T3DA182489.512(L/R)
24" | T3DA242489.512(L/R)



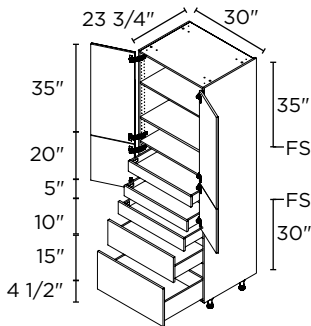
6 DOORS
30" | T302489.5



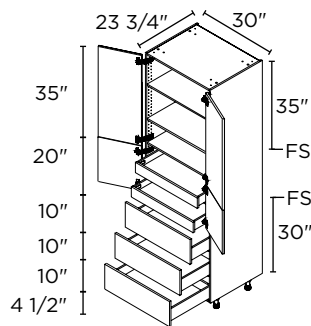
**6 DOORS / 3 INNER
DRAWERS**
30" | T302489.513



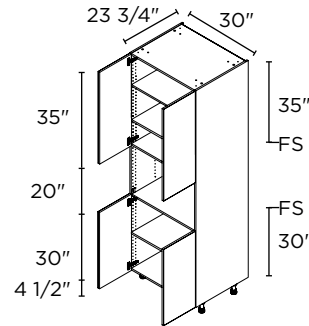
**4 DOORS / 2 DRAWERS /
2 INNER DRAWERS**
30" | T2D302489.512



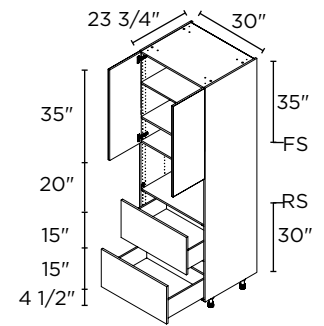
**4 DOORS / 3 DRAWERS /
2 INNER DRAWERS**
30" | T3D302489.512



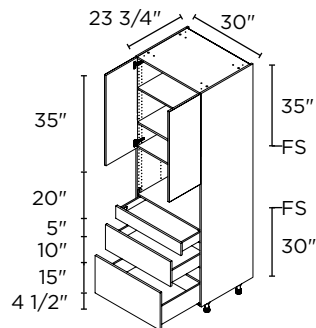
**4 DOORS / 3 DRAWERS /
2 INNER DRAWERS**
30" | T3DA302489.512



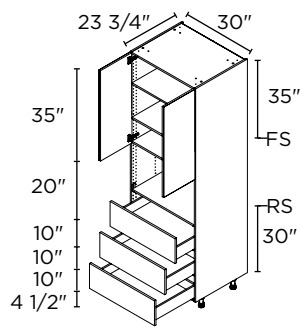
MICROWAVE¹
4 DOORS
30" | TM3089.5



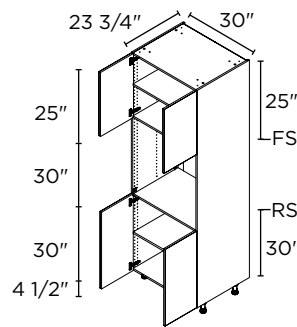
MICROWAVE¹
2 DOORS / 2 DRAWERS
30" | TM2D3089.5



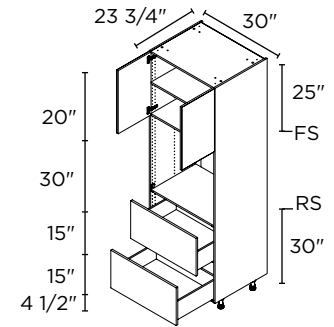
MICROWAVE¹
2 DOORS / 3 DRAWERS
30" | TM3D3089.5



MICROWAVE¹
2 DOORS / 3 DRAWERS
30" | TM3DA3089.5



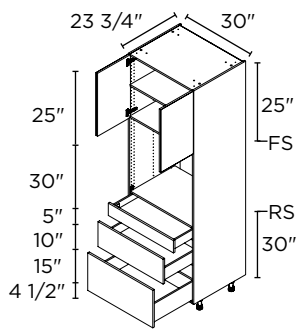
SINGLE OVEN³
4 DOORS
30" | TO3089.5



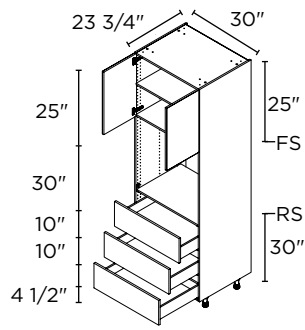
SINGLE OVEN³
2 DOORS / 2 DRAWERS
30" | TO2D3089.5

RS = Reinforced Shelf. FS = Fixed Shelf. **Appliance cut-out sizes:** (use of a filler is required and must be ordered separately):

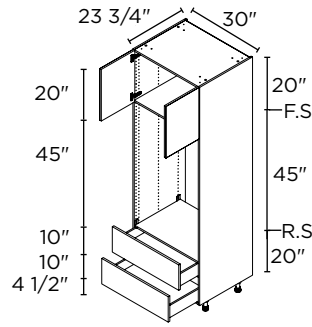
¹ 28 1/2" width x 18 1/2" high. ² 28 1/2" width x 43 1/2" high. ³ 28 1/2" width x 53 1/2" high. ⁴ 28 1/2" width x 28 1/2" high.



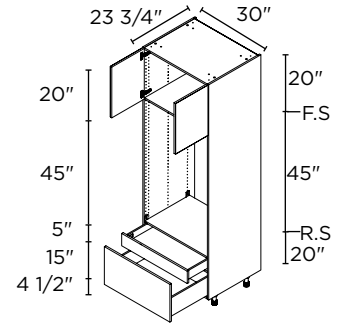
SINGLE OVEN³
2 DOORS / 3 DRAWERS
30" | TO3D3089.5



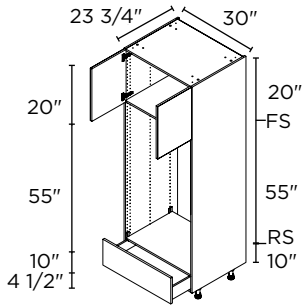
SINGLE OVEN³
2 DOORS / 3 DRAWERS
30" | TO3DA3089.5



MICRO/WALL OVEN²
2 DOORS / 2 DRAWERS
30" | TMO2DA3089.5



MICRO/WALL OVEN²
2 DOORS / 2 DRAWERS
30" | TMO2D3089.5



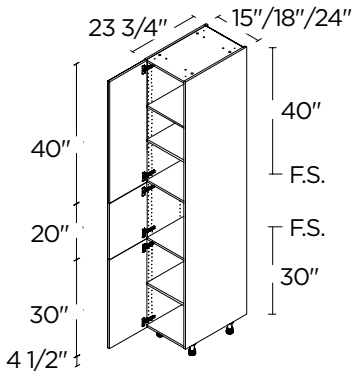
DOUBLE OVEN³
2 DOORS / 1 DRAWER
30" | TDOA3089.5



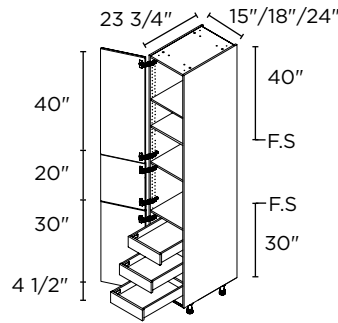
94 1/2" HIGH TALL CABINET OPTIONS

Choose from our extensive collection of tall cabinets, available in all the shapes and sizes you need.

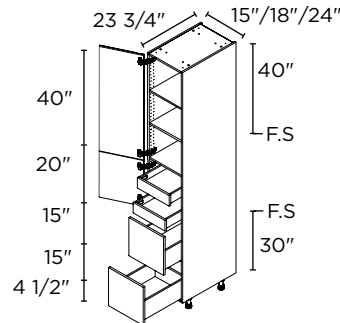
These cabinets are 24" deep x 94 1/2" high. Width options are listed with each cabinet.



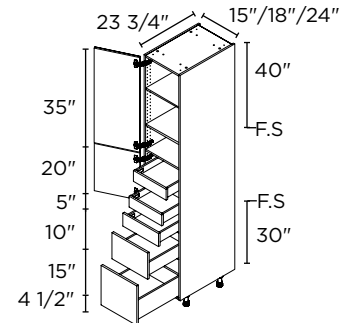
3 DOORS
15" | T152494.5(L/R)
18" | T182494.5(L/R)
24" | T242494.5(L/R)



3 DOORS / 3 INNER DRAWERS
15" | T152494.5I3(L/R)
18" | T182494.5I3(L/R)
24" | T242494.5I3(L/R)



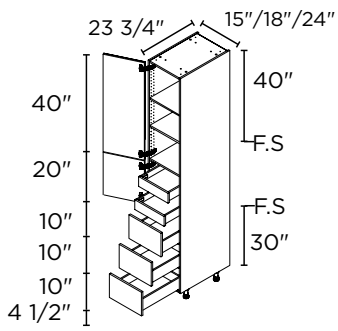
2 DOORS / 2 DRAWERS / 2 INNER DRAWERS
15" | T2D152494.5I2(L/R)
18" | T2D182494.5I2(L/R)
24" | T2D242494.5I2(L/R)



2 DOORS / 3 DRAWERS / 2 INNER DRAWERS
15" | T3D152494.5I2(L/R)
18" | T3D182494.5I2(L/R)
24" | T3D242494.5I2(L/R)

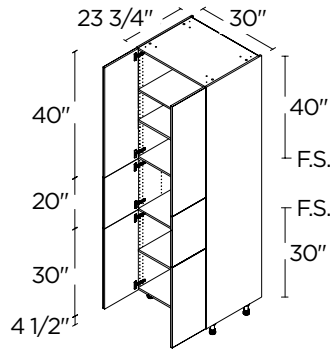
RS = Reinforced Shelf. FS = Fixed Shelf. **Appliance cut-out sizes:** (use of a filler is required and must be ordered separately):

¹28 1/2" width x 18 1/2" high. ²28 1/2" width x 43 1/2" high. ³28 1/2" width x 53 1/2" high. ⁴28 1/2" width x 28 1/2" high.



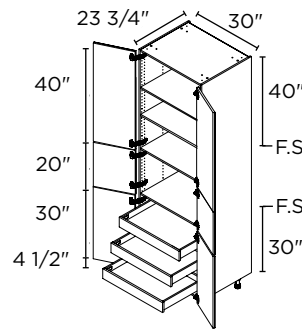
**2 DOORS / 3 DRAWERS
/ 2 INNER DRAWERS**

15\" | T3DA152494.5I2(L/R)
18\" | T3DA182494.5I2(L/R)
24\" | T3DA242494.5I2(L/R)



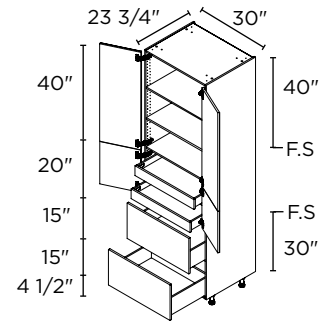
6 DOORS

30\" | T302494.5



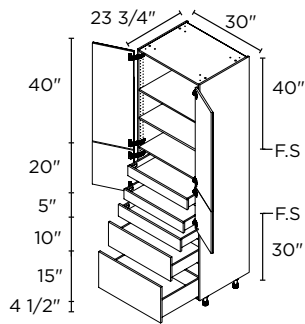
**6 DOORS / 3 INNER
DRAWERS**

30\" | T302494.5I3



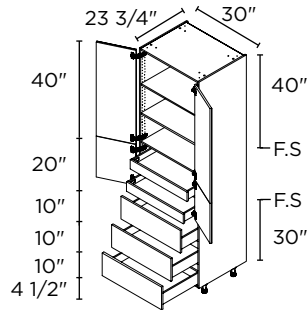
**4 DOORS / 2 DRAWERS
/ 2 INNER DRAWERS**

30\" | T2D302494.5I2



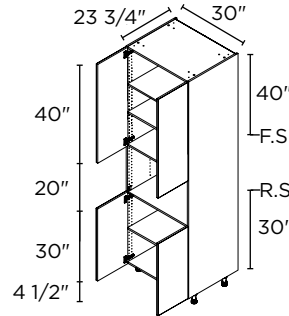
**4 DOORS / 3 DRAWERS
/ 2 INNER DRAWERS**

30\" | T3D302494.5I2



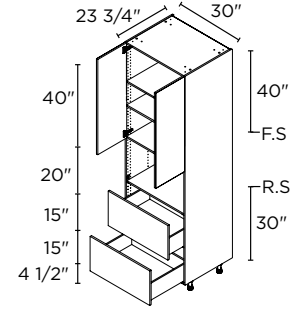
**4 DOORS / 3 DRAWERS
/ 2 INNER DRAWERS**

30\" | T3DA302494.5I2



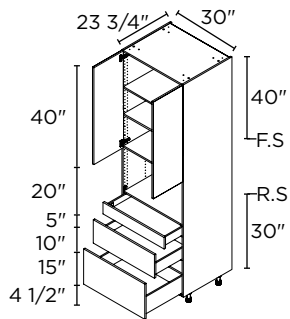
**MICROWAVE ¹
4 DOORS**

30\" | TM3094.5



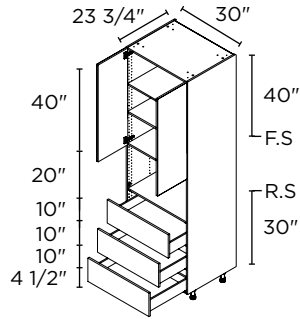
**MICROWAVE ¹
2 DOORS / 2 DRAWERS**

30\" | TM2D3094.5



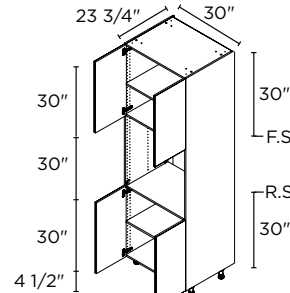
**MICROWAVE ¹
2 DOORS / 3 DRAWERS**

30\" | TM3D3094.5



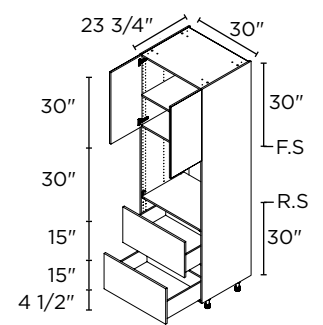
**MICROWAVE ¹
2 DOORS / 3 DRAWERS**

30\" | TM3DA3094.5



**SINGLE OVEN ³
4 DOORS**

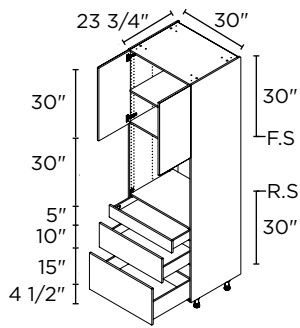
30\" | TO3094.5



**SINGLE OVEN ³
2 DOORS / 2 DRAWERS**

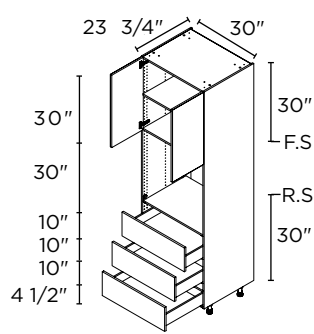
30\" | TO2D3094.5

RS = Reinforced Shelf. FS = Fixed Shelf. **Appliance cut-out sizes:** (use of a filler is required and must be ordered separately):
¹28 1/2" width x 18 1/2" high. ²28 1/2" width x 43 1/2" high. ³28 1/2" width x 53 1/2" high. ⁴28 1/2" width x 28 1/2" high.



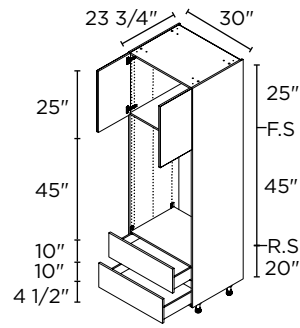
SINGLE OVEN³
2 DOORS / 3 DRAWERS

30" | TO3D3094.5



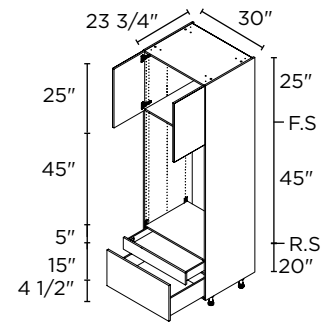
SINGLE OVEN³
2 DOORS / 3 DRAWERS

30" | TO3DA3094.5



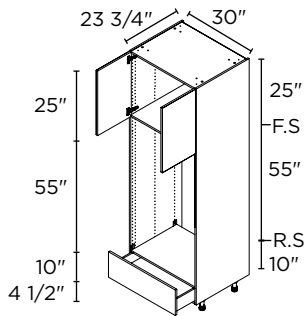
MICRO/WALL OVEN²
2 DOORS / 2 DRAWERS

30" | TMO2DA3094.5



MICRO/WALL OVEN²
2 DOORS / 2 DRAWERS

30" | TMO2D3094.5



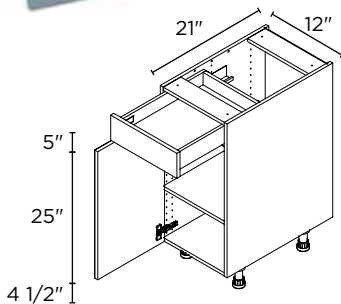
DOUBLE OVEN³
2 DOORS / 1 DRAWER

30" | TDOA3094.5

STANDARD VANITY CABINETS

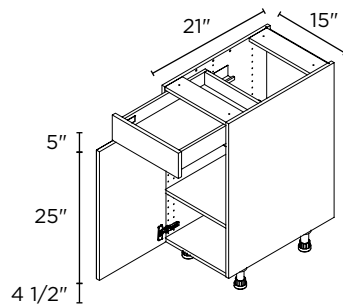
Note

All cabinets are produced with white interiors.
Vanity cabinets are not available with solid wood dovetail drawers.



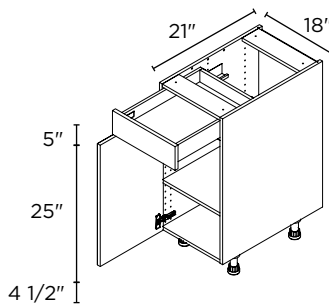
1 DOOR / 1 DRAWER

12" | V12(L/R)



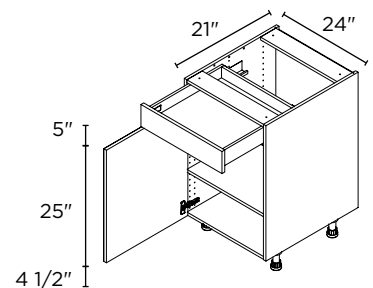
1 DOOR / 1 DRAWER

15" | V15(L/R)



1 DOOR / 1 DRAWER

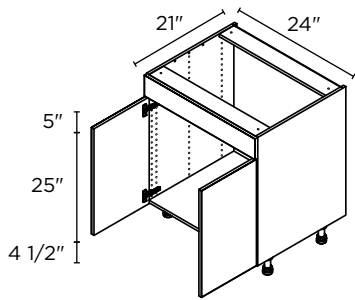
18" | V18(L/R)



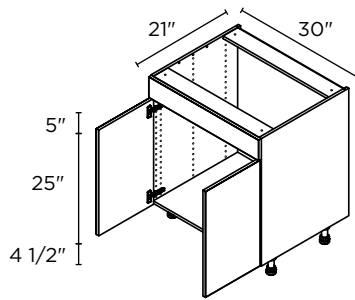
1 DOOR / 1 DRAWER

24" | V24(L/R)

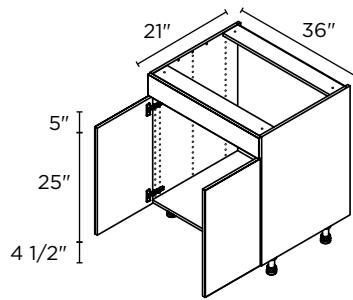
RS = Reinforced Shelf. FS = Fixed Shelf. **Appliance cut-out sizes:** (use of a filler is required and must be ordered separately):
¹28 1/2" width x 18 1/2" high. ²28 1/2" width x 43 1/2" high. ³28 1/2" width x 53 1/2" high. ⁴28 1/2" width x 28 1/2" high.



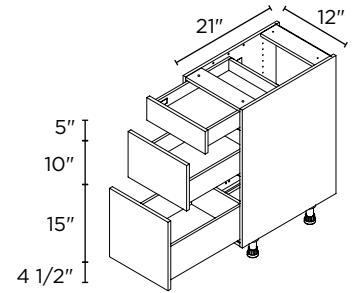
2 DOORS
24" | VS24



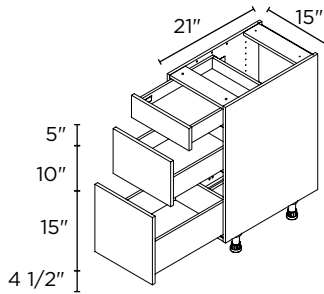
2 DOORS
30" | VS30



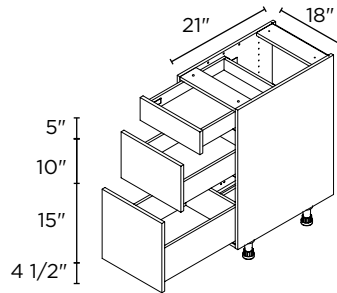
2 DOORS
36" | VS36



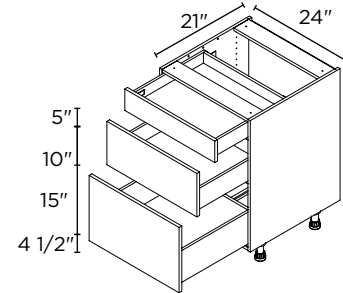
3 DRAWERS
12" | V3D12



3 DRAWERS
15" | V3D15



3 DRAWERS
18" | V3D18



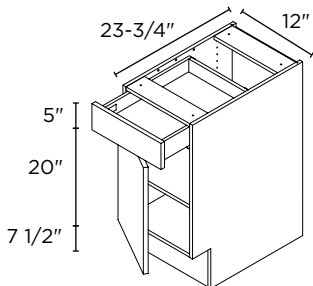
3 DRAWERS
24" | V3D24

UNIVERSAL KITCHEN CABINETS

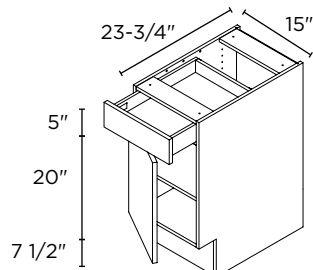


Note

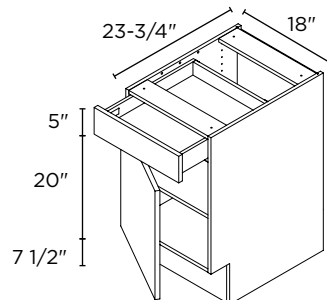
All cabinets are produced with white interiors.



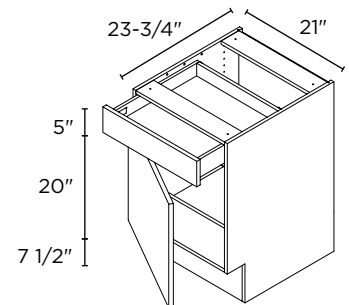
1 DOOR / 1 DRAWER
12" | B12ADA(L/R)



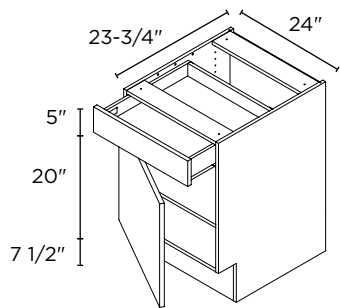
1 DOOR / 1 DRAWER
15" | B15ADA(L/R)



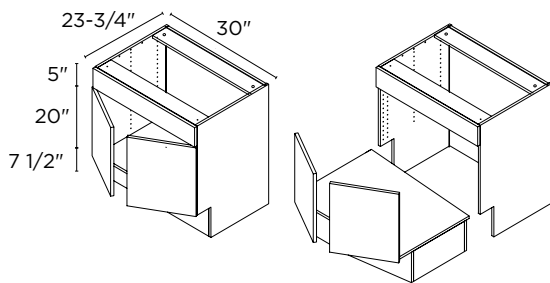
1 DOOR / 1 DRAWER
18" | B18ADA(L/R)



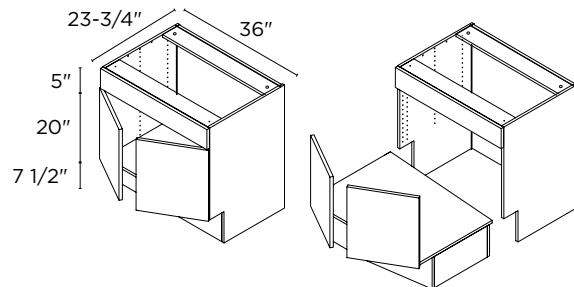
1 DOOR / 1 DRAWER
21" | B21ADA(L/R)



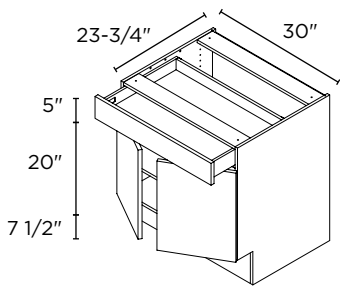
1 DOOR / 1 DRAWER
24" | B24ADA(L/R)



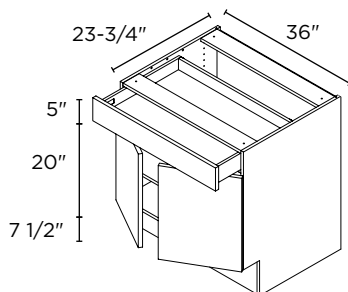
2 DOORS
30" | SB30FFRFADA



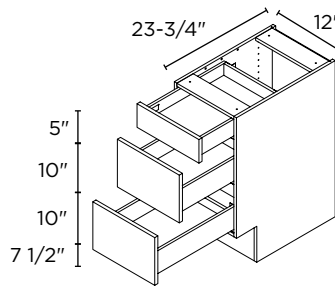
2 DOORS
36" | SB36FFRFADA



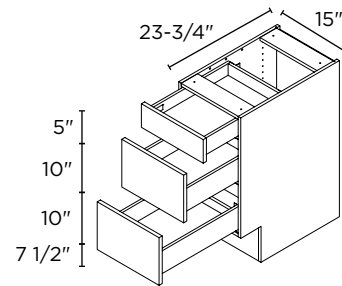
2 DOORS / 1 DRAWER
30" | B30ADA



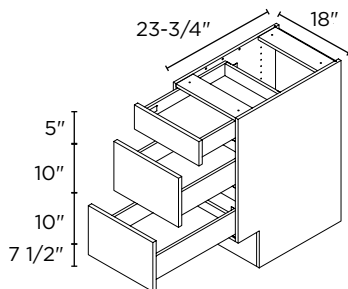
2 DOORS / 1 DRAWER
36" | B36ADA



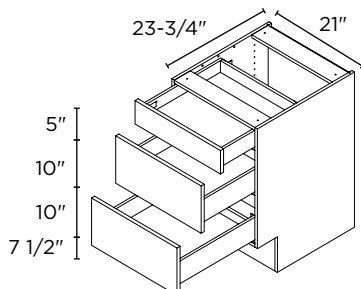
3 DRAWERS
12" | B3D12ADA



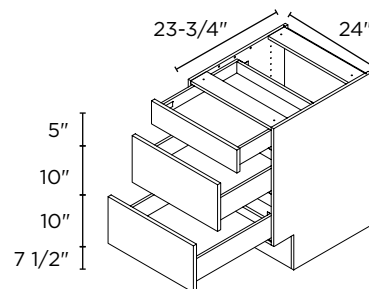
3 DRAWERS
15" | B3D15ADA



3 DRAWERS
18" | B3D18ADA



3 DRAWERS
21" | B3D21ADA

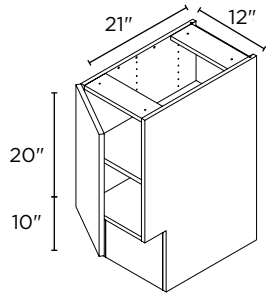


3 DRAWERS
24" | B3D24ADA

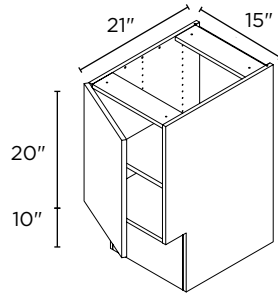
UNIVERSAL VANITY CABINETS

Note

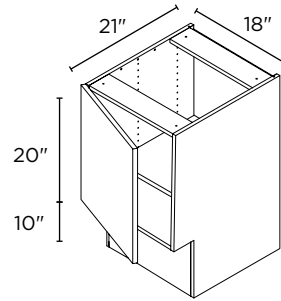
All cabinets are produced with white interiors.
Vanity cabinets are not available with solid wood dovetail drawers.



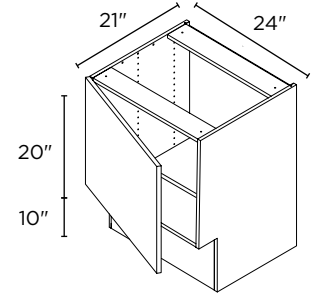
1 DOOR
12" | V12ADA(L/R)



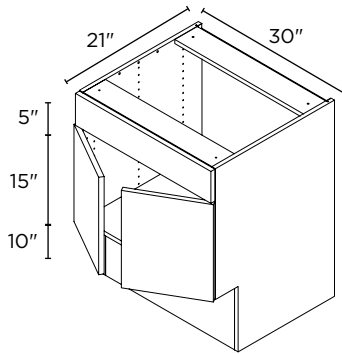
1 DOOR
15" | V15ADA(L/R)



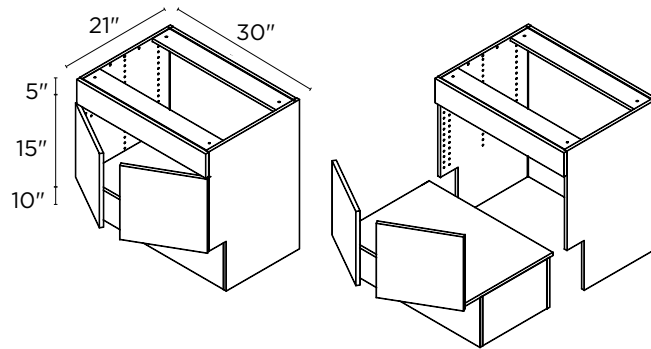
1 DOOR
18" | V18ADA(L/R)



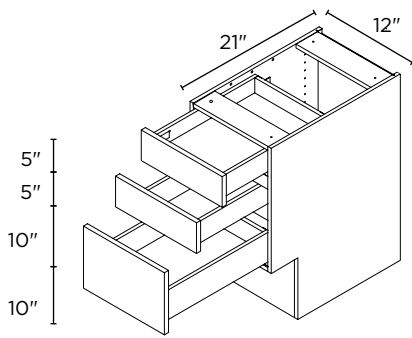
1 DOOR
24" | V24ADA(L/R)



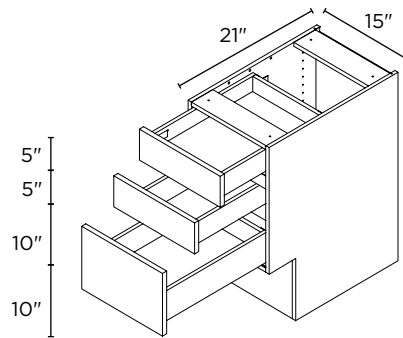
2 DOORS
30" | VS30ADA



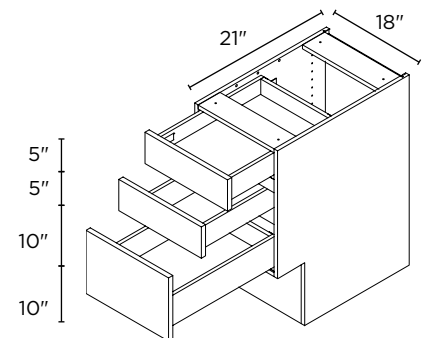
2 DOORS
30" | VS30FFRFADA



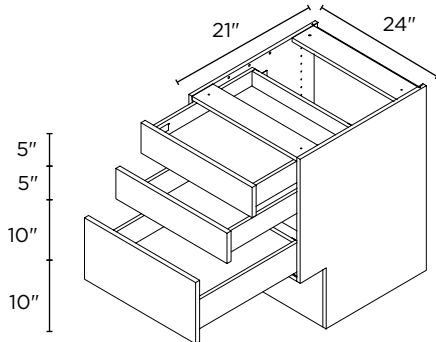
3 DRAWERS
12" | V3D12ADA



3 DRAWERS
15" | V3D15ADA



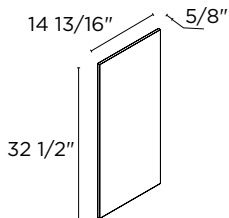
3 DRAWERS
18" | V3D18ADA



3 DRAWERS
24" | V3D24ADA

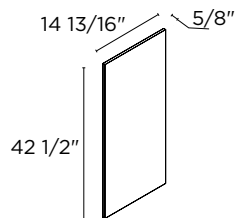
FINISHING TOUCHES: COLOR-MATCHED ACCESSORIES

Add stylish finishing touches to your project with our choice of color-matched panels and trims, all designed to complete your kitchen beautifully. All of our cover panels and fillers are finished on both sides and 4 edges.



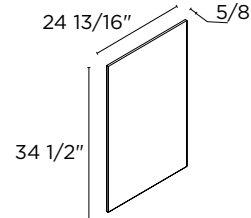
**WALL CABINET
COVER PANEL**
14 13/16"

5/8 x 32 1/2" | CP1432
5/8 x 37 1/2" | CP1437



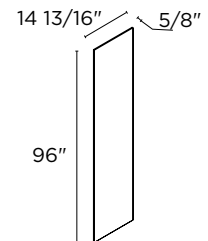
**WALL CABINET
COVER PANEL**
14 13/16"

5/8 x 42 1/2" | CP1442



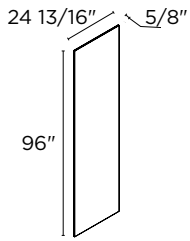
**BASE CABINET
COVER PANEL**
24 13/16"

5/8 x 34 1/2" | CP2434



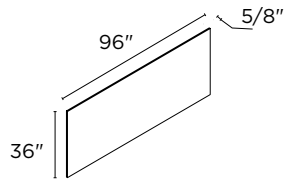
**TALL CABINET
COVER PANEL**
14 13/16"

5/8 x 96" | CP1496



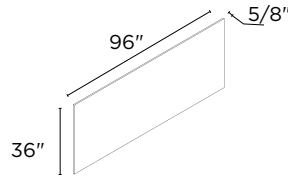
**TALL CABINET
COVER PANEL
24 13/16"**

5/8 x 96" | CP2496



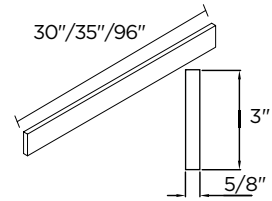
**TALL CABINET
& FRIDGE GABLE
COVER PANEL 36"**

5/8 x 96" | CP3696



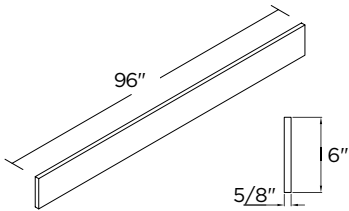
ISLAND PANEL 36"

5/8 x 96" | CP3696



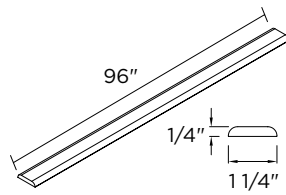
FILLER

3 x 5/8 x 30" | F330
3 x 5/8 x 35" | F335
3 x 5/8 x 96" | F396



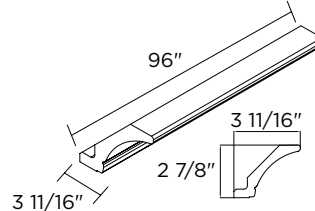
FILLER

6 x 5/8 x 96" | F696



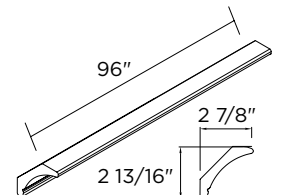
SCRIBE MOLDING

96 x 1/4 x 1 1/4" | SBM96



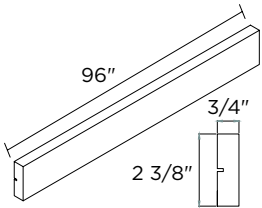
COVE CROWN MOLDING

With integrated cleat.
Not available for Savane.
96 x 3 11/16 x 2 7/8"
CCM96C



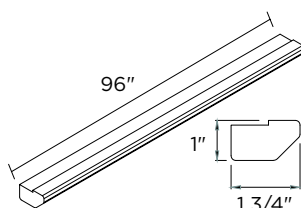
COVE CROWN MOLDING

Without cleat.
Not available for Savane.
96 x 2 13/16 x 2 7/8"
CCM96NC



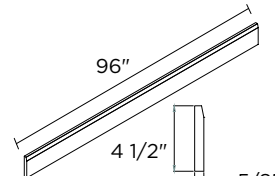
**STRAIGHT LIGHT
VALANCE MOLDING**

Not available for Savane.
96 x 2 3/8 x 3/4"
SLV96



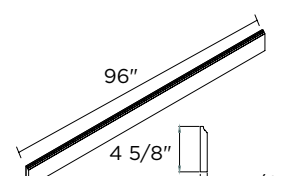
**DECORATIVE LIGHT
VALANCE MOLDING**

Not available for Savane.
96 x 1 x 1 3/4" | DLV96



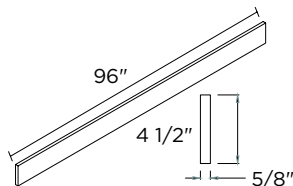
BASE MOLDING

Not available for Savane.
96 x 5/8 x 4 1/2" | BM96



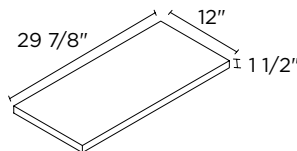
FURNITURE BASE MOLDING

Available for Beaumont & Jolie only.
96 x 3/4 x 4 5/8"
FBM96P



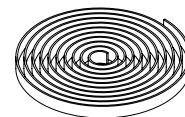
TOE KICK

96 x 5/8 x 4 1/2" | TK96



FLOATING SHELF

30 x 12 x 1 1/2" | FS3012



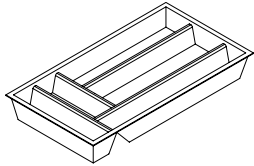
EDGE BANDING

35" ROLL | ET35

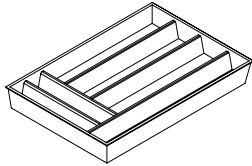
INTERIOR ACCESSORIES & HARDWARE

Designed to make everyday use of your kitchen a great experience, our specially designed interior accessories are made to our exacting Hugo&Borg standards. Don't forget, the Hugo&Borg range includes all the hardware and fittings you need from hinges to toe kick clips.

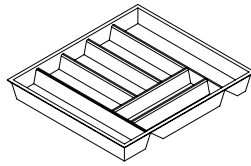
INTERIOR ACCESSORIES >



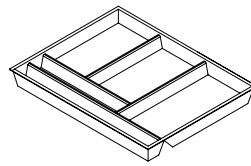
**CUTLERY TRAY
FOR 15" DRAWER**
15 x 24" | CT15



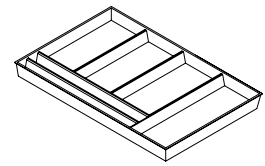
**CUTLERY TRAY
FOR 18" DRAWER**
18 x 24" | CT18



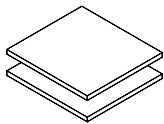
**CUTLERY TRAY
FOR 24" DRAWER**
24 x 24" | CT24



**CUTLERY TRAY
FOR 30" DRAWER**
30 x 24" | CT30

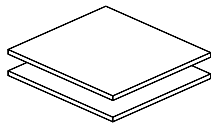


**CUTLERY TRAY
FOR 36" DRAWER**
36 x 24" | CT36



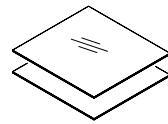
SHELVING FOR 14" DEEP CABINETS
-PACK OF 2

9 x 3/4" | SHL-914
12 x 3/4" | SHL-1214
15 x 3/4" | SHL-1514
18 x 3/4" | SHL-1814
21 x 3/4" | SHL-2114
24 x 3/4" | SHL-2414
27 x 3/4" | SHL-2714
30 x 3/4" | SHL-3014
33 x 3/4" | SHL-3314
36 x 3/4" | SHL-3614



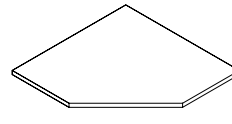
SHELVING FOR 24" DEEP CABINETS
-PACK OF 2

9 x 3/4" | SHL-924
12 x 3/4" | SHL-1224
15 x 3/4" | SHL-1524
18 x 3/4" | SHL-1824
21 x 3/4" | SHL-2124
24 x 3/4" | SHL-2424
27 x 3/4" | SHL-2724
30 x 3/4" | SHL-3024
33 x 3/4" | SHL-3324
36 x 3/4" | SHL-3624

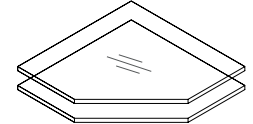


**GLASS SHELVING FOR
14" DEEP CABINETS**
-PACK OF 2

15 x 1/4" | GSHL-1514
18 x 1/4" | GSHL-1814
30 x 1/4" | GSHL-3014
36 x 1/4" | GSHL-3614

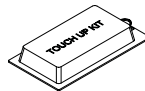


**SHELF FOR WALL
DIAGONAL CORNER
SHELF 24"**
24" | SHL-2424 CORNER



**GLASS SHELVES FOR
WALL DIAGONAL
CORNER CABINET**
24" | GSHL-2424C
CORNER - PACK OF 2

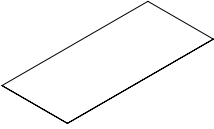
TOUCH-UP KIT (TUK)



Available per collection finish.
Kit includes one marker, one wax touch-up stick and one foam pad.

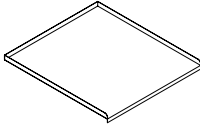


All standard interior shelving is 3/4" thick.
All glass interior shelving is 1/4" thick tempered glass.



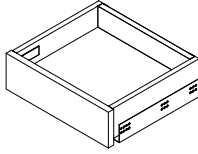
DRAWER MAT

Must be trimmed by installer.
46 x 24" | DM46



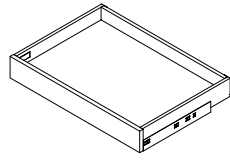
UNDER SINK MAT

30 x 24" | SBM30
36 x 24" | SBM36



INNER DRAWER KIT FOR 14" DEEP CABINET

15 x 3 3/8" | DK1514
18 x 3 3/8" | DK1814
24 x 3 3/8" | DK2414

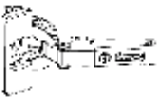


INNER DRAWER KIT 24" DEEP CABINETS

12 x 3 3/8" DK1224	27 x 3 3/8" DK2724
15 x 3 3/8" DK1524	30 x 3 3/8" DK3024
18 x 3 3/8" DK1824	33 x 3 3/8" DK3324
21 x 3 3/8" DK2124	36 x 3 3/8" DK3624
24 x 3 3/8" DK2424	



All hinges are available in sets of 2 and include hinge plates.



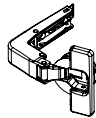
110 DEGREE HINGE

Used for standard doors.
HIN110



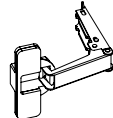
155 DEGREE HINGE

Must be used when adding interior drawers behind cabinet doors.
HIN155



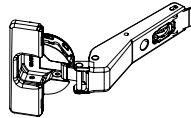
110 DEGREE BLIND CORNER HINGE

HINBC



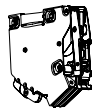
PIE CUT HINGE

Used to connect BC36 door sets together.
HINPC



DIAGONAL CORNER WALL HINGE

HIN45



HORIZONTAL LIFT-UP HINGE

Used to create lift-up doors.
HINLU

LIMITED LIFETIME WARRANTY

All products must be inspected immediately upon receipt for any physical damage, missing boxes or components. Any visible damage to the goods or missing packages must be noted to the carrier and marked on the bill of lading. These claims must be submitted within 14 days of receipt.

WHAT THIS WARRANTY COVERS

Hugo&Borg warrants its products to be free from substantial defects in materials and workmanship from the original date of purchase under normal home use. This warranty is offered only to the original consumer purchaser and may not be transferred. Hugo&Borg is only responsible for the actual purchase price.

HOW LONG THE WARRANTY LASTS

Coverage for all wall cabinets, base cabinets, pantry cabinets, door fronts, drawer fronts, shelves, cover panels, fillers, moldings, hinges, drawer parts (rails and soft-close mechanisms), adjustable feet and storage accessories are warranted to the original purchaser for as long as they own their home. This warranty is not transferable.

WHAT HUGO&BORG WILL DO UNDER THE WARRANTY

During the warranty period, Hugo&Borg at its discretion, will repair or replace any part or product that proves to have substantial defects in materials or workmanship, or Hugo&Borg will provide an equivalent replacement product. Hugo&Borg reserves the right to change specifications in design and materials without notice and with no obligation to replace products that were previously manufactured. Implied Warranties: Hugo&Borg disclaims any implied warranty of merchantability, and there are no warranties that extend beyond the descriptions on the face hereof.

AGING, MANUFACTURING, NATURAL CHARACTERISTICS AND APPEARING IN PRINTED MATERIALS

Because of the varying natural characteristics of wood and the effects of ageing, product shown in displays and/or printed materials (such as product photos printed in brochures, flyers, catalogues, etc.) will not be an exact match to the cabinetry you will receive. Depending on the wood grain characteristics, the age of a sample and the environment of the retail showroom, samples will show some degree of variation from a new product. In addition, you should not expect all doors, drawer fronts, cover panels, trim or molding to match exactly in either finish or grain.

Variation in wood grain is normal and unavoidable. In addition, it is not possible to exactly match our colors in printed materials.

Therefore, you should view the actual samples when making your color selection. Depending on the wood grain characteristics, the age of a sample and the environment of the retail showroom, samples will show some degree of variation from a new product. In addition, you should not expect all doors, drawer fronts, cover panels, trim or molding to match exactly in either finish or grain. Variation in wood grain is normal and unavoidable. In addition, it is not possible to exactly match our colors in printed materials. Therefore, you should view the actual samples when making your color selection.

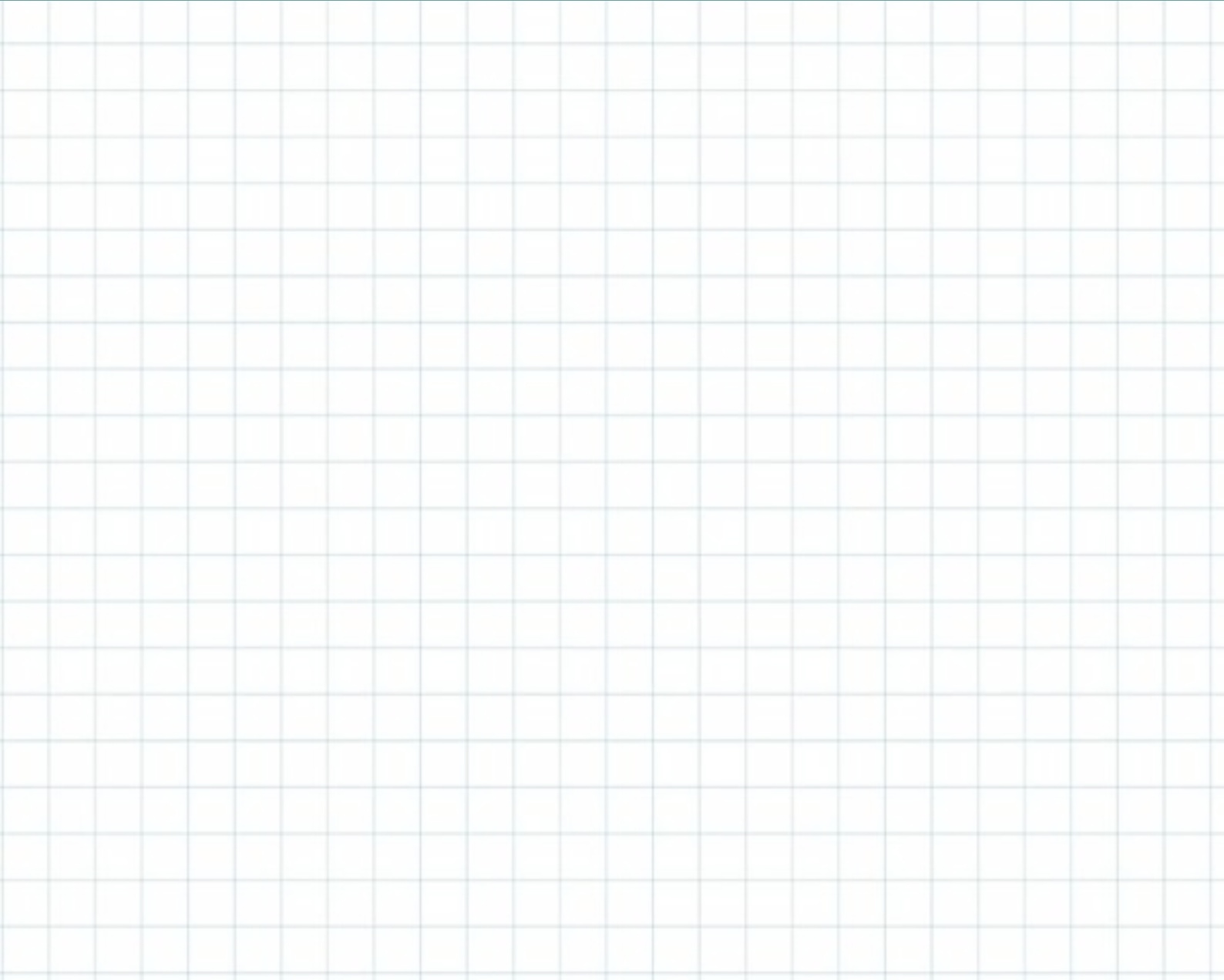
WHAT THIS WARRANTY DOES NOT COVER

This warranty does not cover any problems or damage which result from improper transportation, improper installation, mishandling, misuse, abuse, neglect, abnormal use, commercial use, improper maintenance, unauthorized repairs, accidents, or acts of God, such as hurricanes, fire, earthquakes or floods. The warranty and any applicable implied warranties do not cover incidental or consequential damages arising from any defects in the product such as labour charges for installation or removal of the product or any associated products. Hugo&Borg is not responsible for any installation charges. This warranty does not cover defects or damage caused by normal wear and tear, alterations, environmental conditions, humidity absorption, or mold. In addition, variations in wood grain, finish color or ageing are not considered defects and are not covered by this warranty.

HOW TO OBTAIN WARRANTY SERVICE

If you need replacement parts or would like to make a warranty claim, please contact our Customer Service Representative by email at info@hugoandborg.com or call us at 1.833.748.HUGO (4846). All warranty claims must include the model number of the product, a copy of the original receipt, and the nature of the problem. In addition, Hugo&Borg may at its discretion require inspection of the installation site, photography, or authorize the prepaid return of the claimed defective part. Merchandise not pre-approved for return will not be accepted and the associated claim not accepted. If upon inspection you find your product is damaged or missing parts, it is not necessary to return the unit to the store of purchase. Please contact Hugo&Borg.

NOTES



HUGO & BORG PRO

ALL PLYWOOD CONSTRUCTION

Check out our new ready-to-assemble plywood series!

NEW!



Available in 2 on-trend door styles!

GLENDALE

JASPER



PRO BROCHURE



SCAN TO VIEW ONLINE



DURABLE ALL-
PLYWOOD
CONSTRUCTION



SOFT-CLOSE DOORS
AND DRAWERS



SOLID WOOD
DOVETAIL DRAWERS



FRAMED
CONSTRUCTION



QUICK AND
EASY ASSEMBLY



QUICK SHIP

HUGO & BORG

CABINET MAKERS

Exclusive to Lowe's

www.hugoandborg.com

Email: info@hugoandborg.com

Tel: 1.833.748.HUGO (4846)

